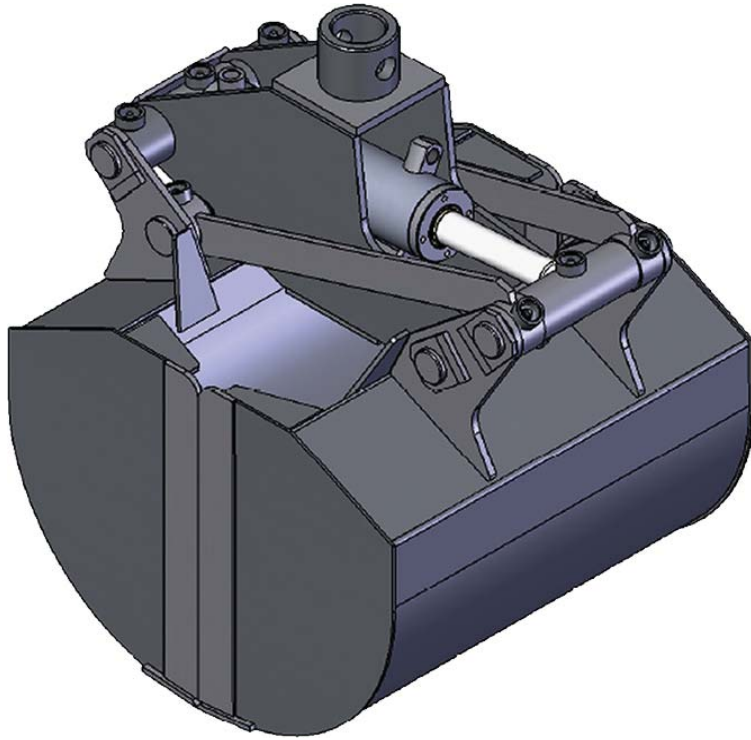
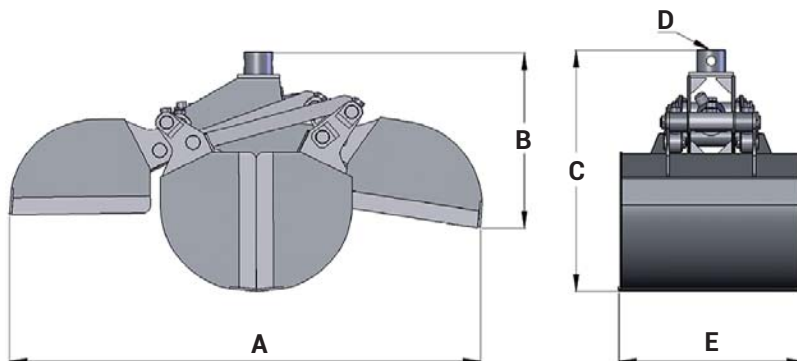


TIGERGRIP | TGS 12-40 -12-50



KEY FEATURES

- Dubbla parallellstag



	TGS 12-40	TGS 12-50
A	1232	1232
B	437	447
C	612	622
D	40/20	50/25
E	385	485

MODEL SPECIFICATIONS



MODEL	Kg	Lt	Bar	l/min	kN	tm	ton
TGS 12-40	60	50	160	30	8	2	0,2
TGS 12-50	65	60	160	30	8	2	0,2

INTERMERCATO

High performance lift and load attachments for Forestry, Transport, Construction and Recycling.

