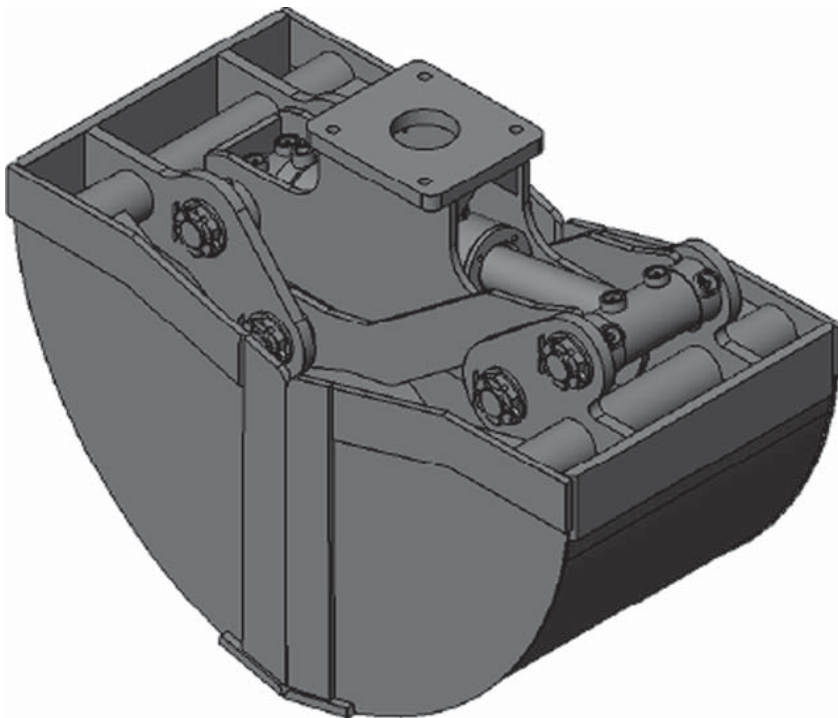
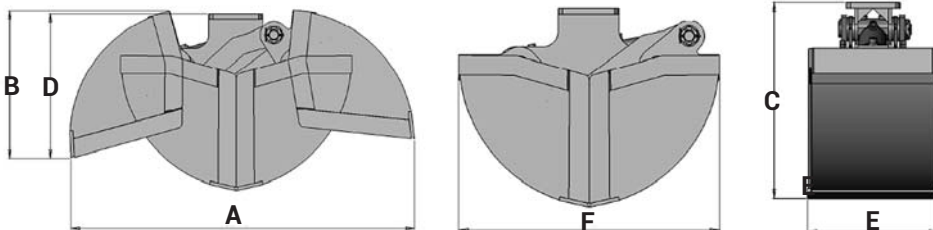


# TIGERGRIP | TMC 40 - 80



## KEY FEATURES

- Dubbla parallellstag
- Skär av höghållfast slitstål (500 HB)



	TMC 40	TMC 50	TMC 60	TMC 80
<b>A</b>	1270	1270	1270	1270
<b>B</b>	544	544	544	544
<b>C</b>	650	650	650	650
<b>D</b>	533	533	533	533
<b>E</b>	435	535	635	835
<b>F</b>	855	855	855	855

## MODEL SPECIFICATIONS



MODEL	Kg	Lt	Bar	l/min	kN	ton	tm
TMC 40	142	125	200	40	12	1	8
TMC 50	152	150	200	40	12	1	8
TMC 60	162	175	200	40	12	1	8
TMC 80	202	200	200	40	12	1	8

# INTERMERCATO

High performance lift and load attachments for Forestry, Transport, Construction and Recycling.

