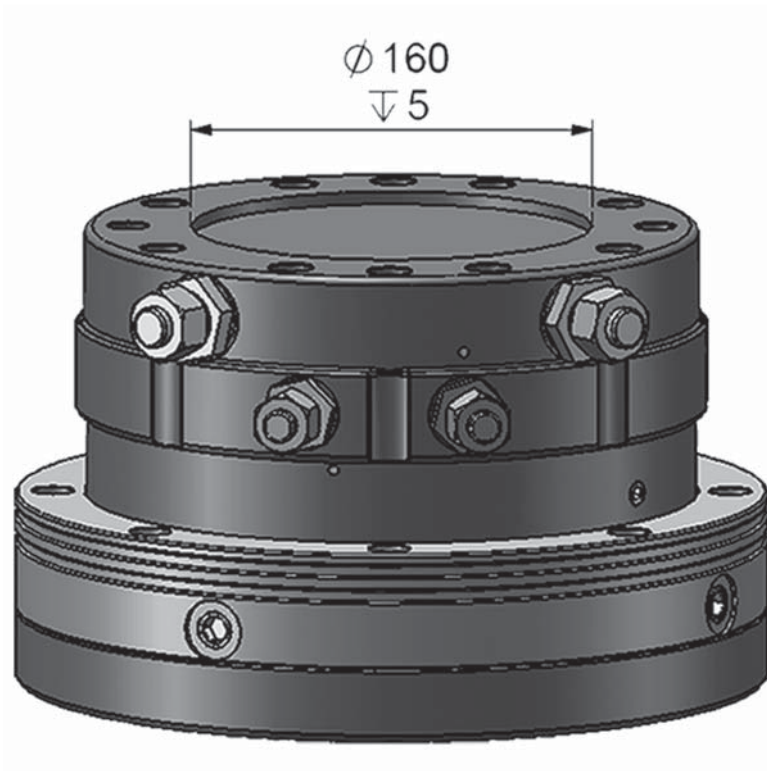
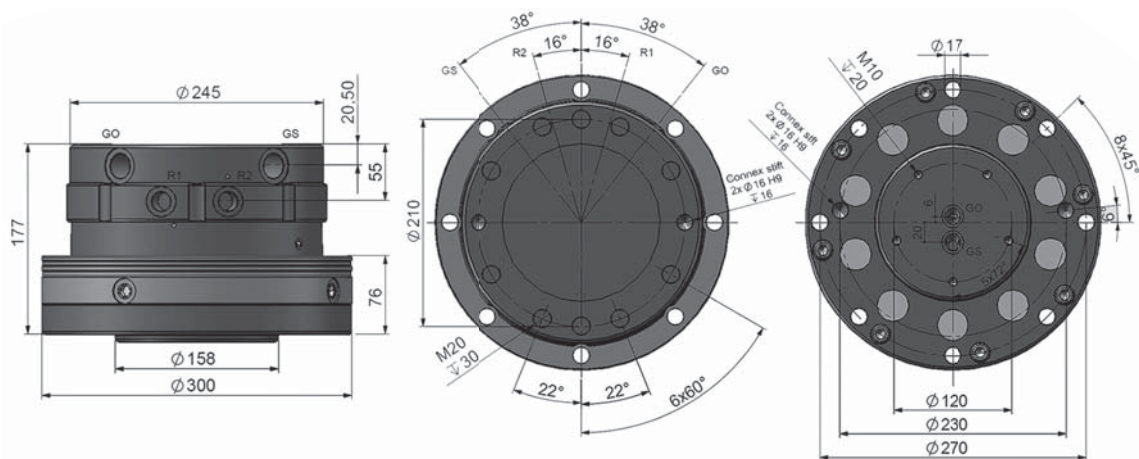


ROTECH / RMR 8



KEY FEATURES

- High pressure construction
- Endless rotation
- High torque
- Optimized positioning performance
- Steel flange for increased durability
- Ultra compact design



MODEL SPECIFICATIONS



RMR 8

68

18

320

25

360°

3600

1/2"3/4"

20

8

INTERMERCATO

High performance lift and load attachments for Forestry, Transport, Construction and Recycling.

