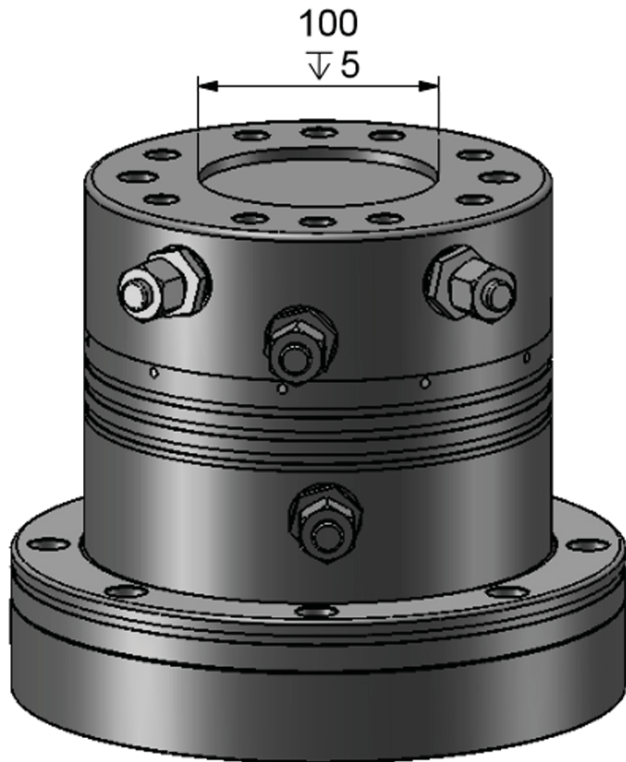
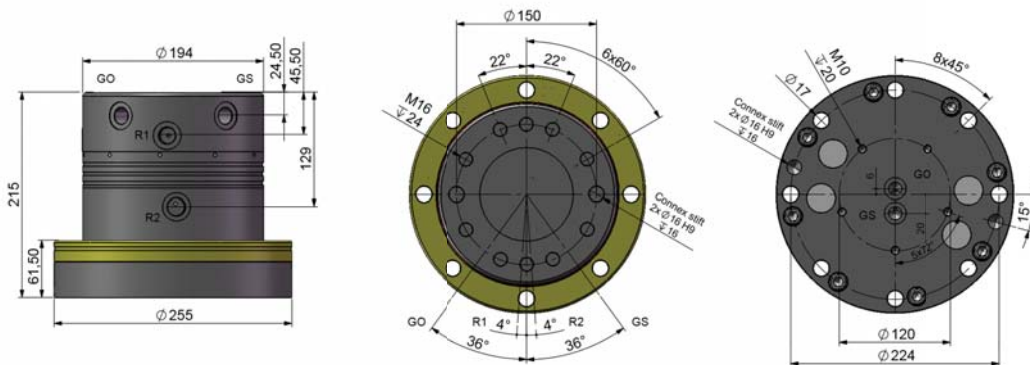


ROTECH / RMR 6-224



KEY FEATURES

- High pressure construction
- Endless rotation
- High torque
- Optimized positioning performance
- Steel flange for increased durability



MODEL SPECIFICATIONS



RMR 6-224

61

16

320

22

360°

2800

G1/2

16

7

INTERMERCATO

High performance lift and load attachments for Forestry, Transport, Construction and Recycling.

