

# TIGERGRIP | Tree shear

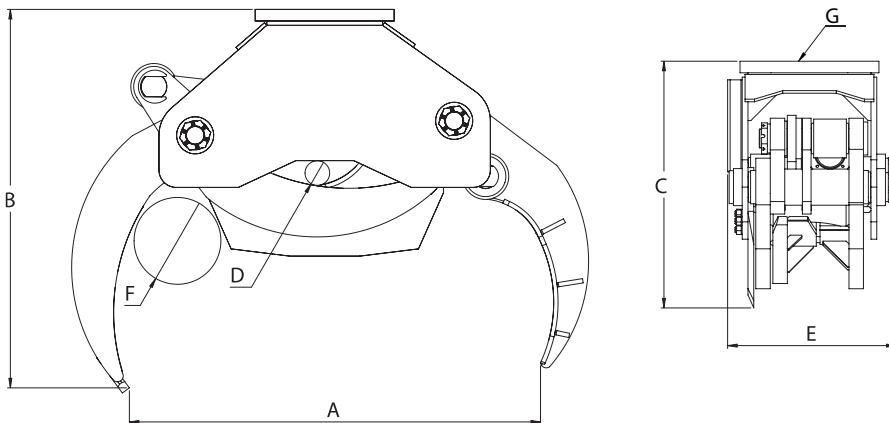
## 210R - 250R - 300R



We accept no substitutes. The "Hardox In My Body" sign on our equipment is your guarantee of genuine Hardox wear plate.

### KEY FEATURES

- All Tigercuts are made of Hardox
- Robust tree shear for rotator
- Extra reinforced body for rigid mounting (excavator design)



	TC 210R	TC 210R /250	TC 250R	TC 300R
<b>A</b>	1140	1140	1096	1413
<b>B</b>	780	780	899	1308
<b>C</b>	572	572	635	853
<b>D</b>	75	75	95	85
<b>E</b>	375	375	434	584
<b>F</b>	210	250	250	300

### MODEL SPECIFICATIONS



Cylinder diam.

Blade mm.

MODEL	Kg	Bar	l/min	kN	rek ton	Cylinder diam.	Blade mm.
TC 210R	208	250	50	53	4-10	110	12
TC 210R/250	208	250	50	53	4-10	110	15
TC 250R	335	250	70	74	8-16	125	15
TC 300R	763	300	70-100	120	14-22	140	20

# INTERMERCATO

High performance lift and load attachments for Forestry, Transport, Construction and Recycling.

