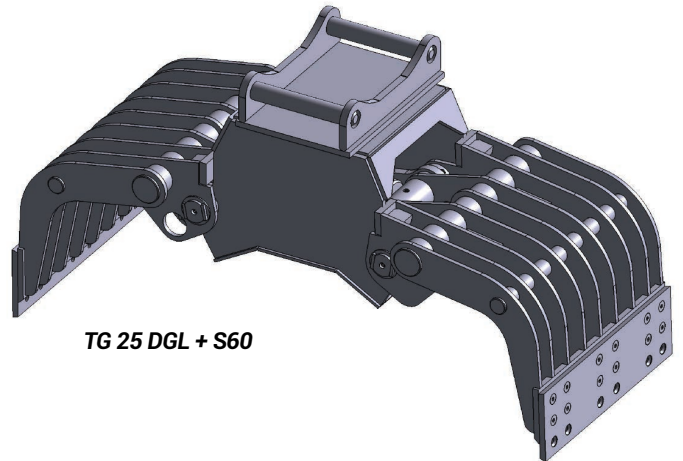
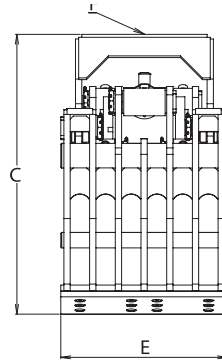
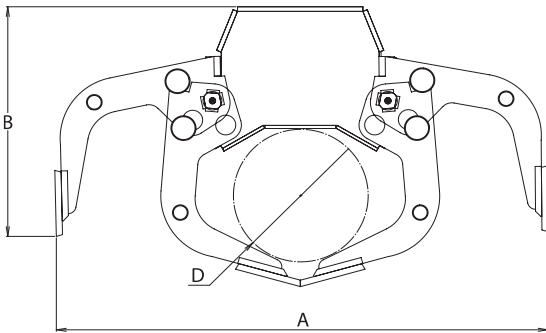


TG 25 DGL + S60



TG 25 DGL + S60



	TG 15 DG	TG 18 DG	TG 20 DG	TG 20 DGW	TG 25 DGL	TG 25 DG	TG 30 DG
<b>A</b>	1154	1430	1556	1556	1936	1936	2347
<b>B</b>	535	632	737	737	893	893	1057
<b>C</b>	661	745	897	897	1095	1095	1297
<b>D</b>	315	370	430	430	530	530	650
<b>E</b>	390	532	532	700	800	800	1000
<b>F</b>	650	847	882	882	1085	1085	1330



We accept no substitutes. The "Hardox In My Body" sign on our equipment is your guarantee of genuine Hardox wear plate.

### MODEL SPECIFICATIONS



Model	Weight (Kg)	Area (m²)	Pressure (Bar)	Flow rate (l/min)	Force (kN)	Capacity (ton)
TG 15 DG	190	0,14	250	40	17,5	4-8
TG 18 DG	340	0,18	250	50	18,5	8-12
TG 20 DG	495	0,20	320	60	33	10-16
TG 20 DGW	575	0,20	320	60	33	10-16
TG 25 DGL	810	0,35	320	90	57	16-24
TG 25 DG	900	0,35	320	90	57	18-26
TG 30 DG	1465	0,50	320	90	69	22-30