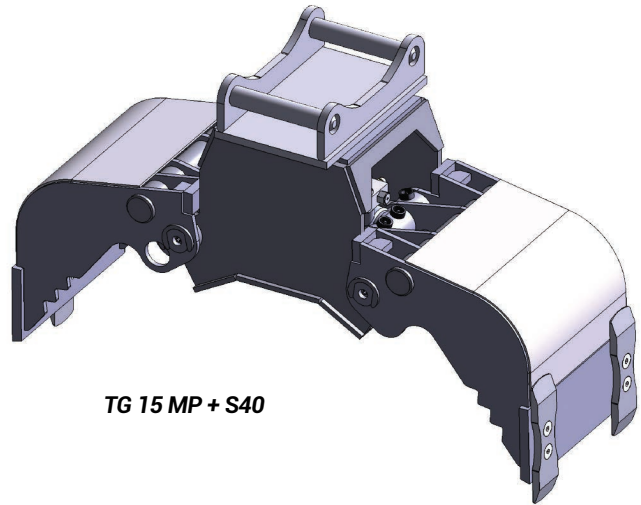
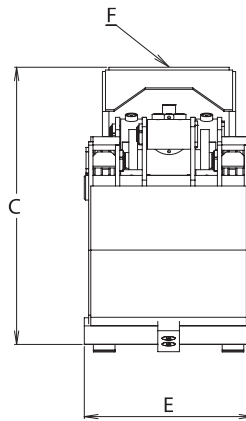
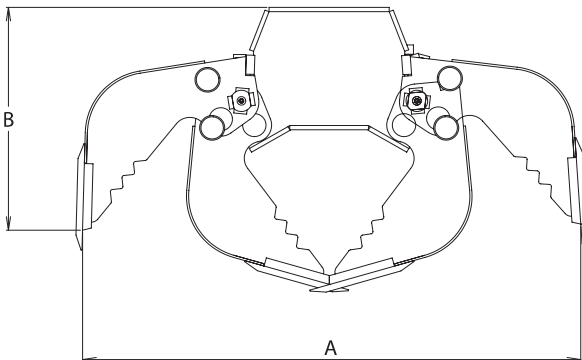


TG 18 MP



TG 15 MP + S40



	TG 05 MP	TG 15 MP	TG 18 MP	TG 20 MP
A	35,6	45,7	55,8	61,4
B	18	23,6	27	31,6
C	19,7	27,5	30,4	36,4
E	11,8	15,4	18,7	20,9
F	140x140	224/8	270/8	270/8



We accept no substitutes. The "Hardox In My Body" sign on our equipment is your guarantee of genuine Hardox wear plate.

MODEL SPECIFICATIONS



MODEL	Weight (lb)	Area (sq ft)	Pressure (psi)	Flow (gpm)	Force (lbf)	Weight (lb)
TG 05 MP	190	0,22	3625	5,3	2790	2205-8820
TG 15 MP	375	1,51	3625	10,7	3930	8820-17640
TG 18 MP	650	1,94	3625	13,3	4160	17640-26460
TG 20 MP	882	2,15	5080	16	7420	22050-35270