

The allround working tool!
Very robust grapple for pulp wood as well as single logs.
Optimal roll-in roll-out properties to guarantee full load in every grab.

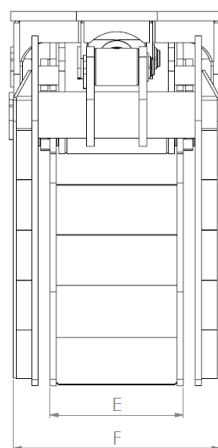
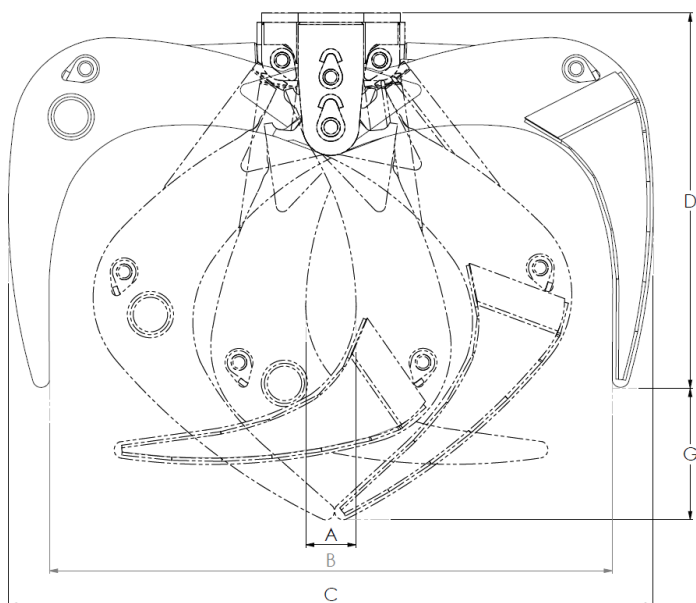


**DEFINITELY
A BEAST.**

KEY FEATURES

- Made entirely of Hardox[®]
- Induction hardened shafts and special heavy duty alubronze bushings
- 100 mm cylinder bore and 63 mm piston rod for high gripping force and fast opening
- Equipped with high torque market leading Indexator rotators

www.intermercato.com



	Log-Bite 500HD	Log-Bite 650HD	Log-Bite 750HD
A	191	161	175
B	1630	1800	2004
C	1854	2061	2292
D	1066	1197	1311
E	416	426	426
F	622	622	670
G	388	419	484

MODEL SPECIFICATIONS



MODEL	Kg	m ²	Bar	l/min	kN	ton	tm	tm	ton	ton	
Log-Bite 500HD	600	0,52	250	80	80	-	30	-	20	-	-
Log-Bite 650HD	770	0,65	250	90	80	-	35	-	24	-	-
Log-Bite 750HD	870	0,75	250	100	80	-	40	-	28	-	-

Recommended machine weight and crane size



Intermercato is not only grapples - Explore our complete range of products on www.intermercato.com, or contact our highly skilled sales

Accessorize your grab

Crane scale

Intermercato world leading in weighing of hanging load. Our crane scales are based on intelligent technology - an advanced algorithm calculates the weight. Most of our crane scales are legal for trade. It's the only RTT&E certified and legal for trade system in the world for hanging load in motion. Your success starts with Intermercato Intelligent Weighing Systems

Rotator and other accessories

Accessorize your grab with rotator and link. We can also deliver all our grabs and clamshell buckets complete with hose kit!



INTERMERCATO®

High performance lift and load attachments for Forestry, Transport, Construction and Recycling.



www.intermercato.com | info@intermercato.com | Tel +46 (0)414 20525 | SE-272 93 Tommarp, Sweden