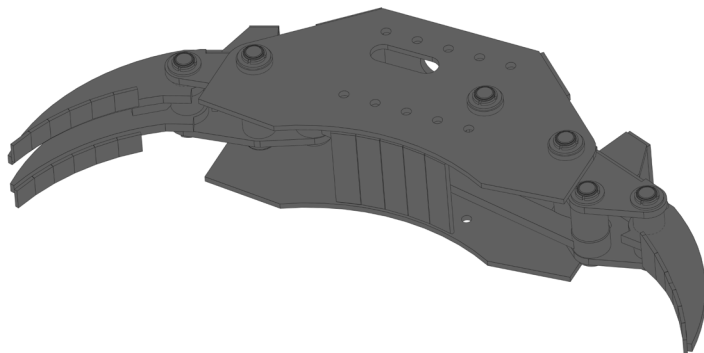


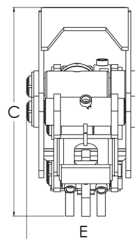
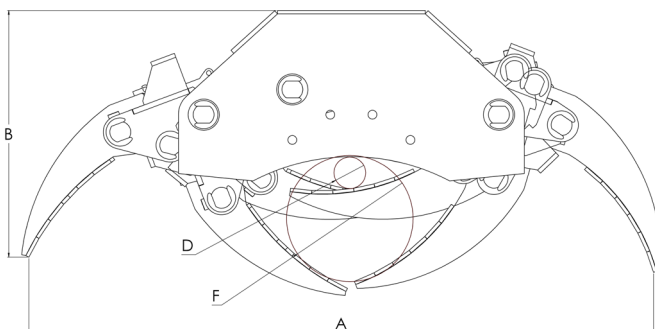
TC Collector



KEY FEATURES

- For mounting on TC 250E, 300E, T-Cut 30 & 40
- Makes your TC & T-Cut an even more efficient tool
- Bolt-on

A	58,3
B	23,1
C	19,5
D	3
E	10,6
F	11,8



MODEL SPECIFICATIONS



TC Collector

333

