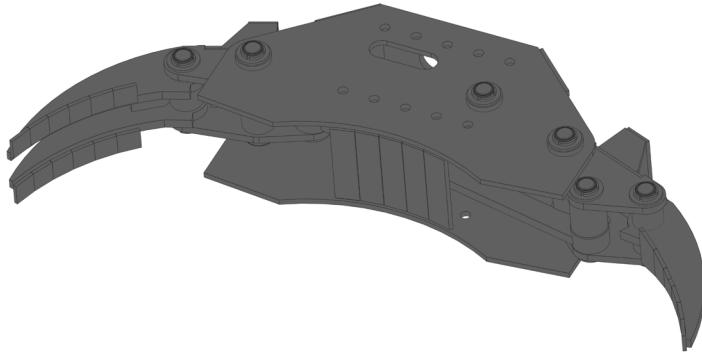


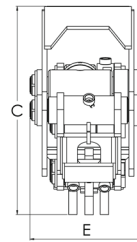
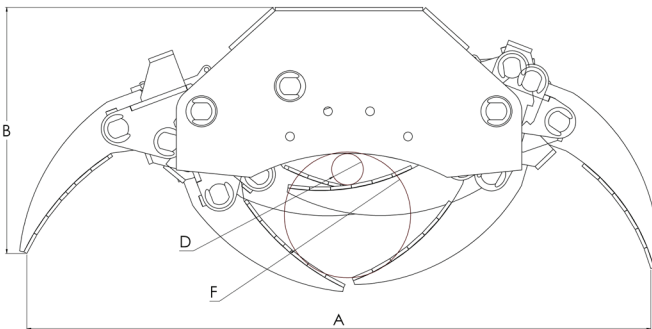
## TC Collector



### KEY FEATURES

- For mounting on TC 250E, 300E, T-Cut 30 & 40
- Makes your TC & T-Cut an even more efficient tool
- Bolt-on

<b>A</b>	1481
<b>B</b>	587
<b>C</b>	496
<b>D</b>	75
<b>E</b>	269
<b>F</b>	300



### MODEL SPECIFICATIONS



TC Collector	151
--------------	-----

