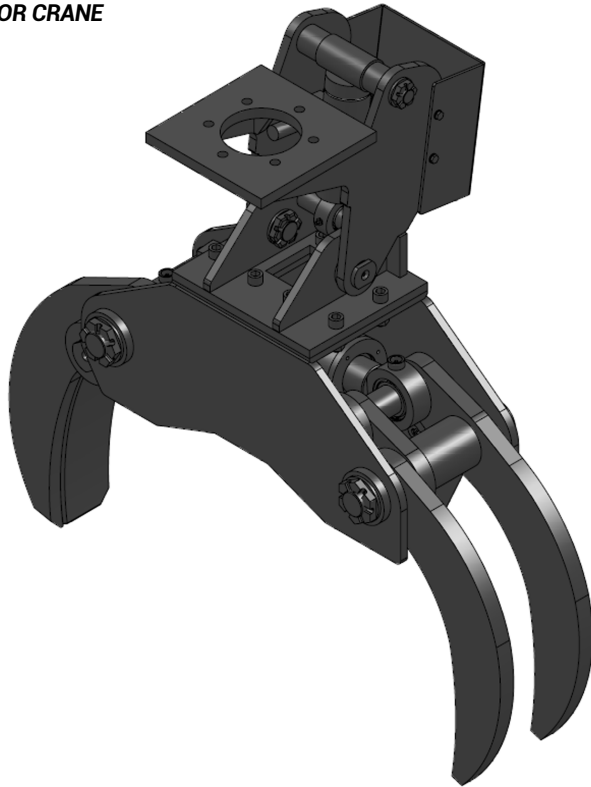
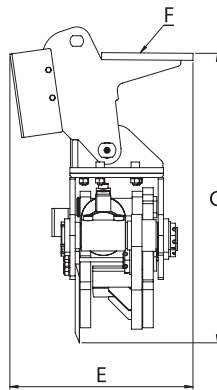
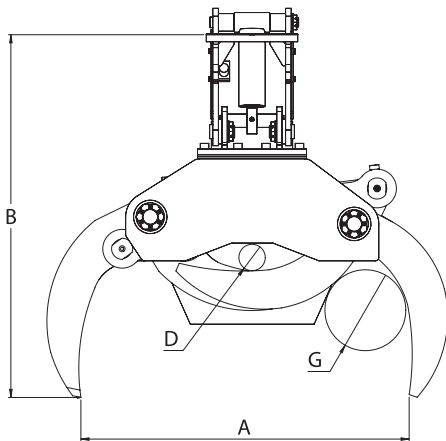


**TC 250C  
WITH TILTMECHANISM  
FOR CRANE**



We accept no substitutes. The "Hardox In My Body" sign on our equipment is your guarantee of genuine Hardox wear plate.



	TC 210C	TC 250C
<b>A</b>	36,7	43,1
<b>B</b>	40,6	53,5
<b>C</b>	32,4	42,9
<b>D</b>	2,9	3,7
<b>E</b>	20,5	20,8
<b>F</b>	9,5	9,8

**MODEL SPECIFICATIONS**



Cutting diam.\*

MODEL	lb	psi	gpm	lbf	Cutting diam.*
TC 210C	496	3625	13,3	11915	9,5
TC 250C	992	3625	18,6	16640	9,8

\*Softwood