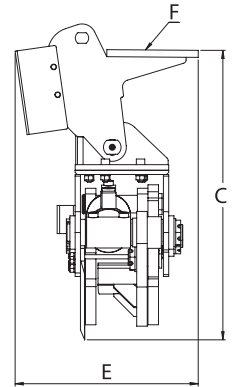
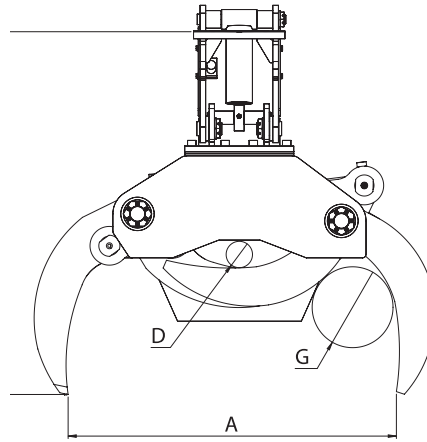
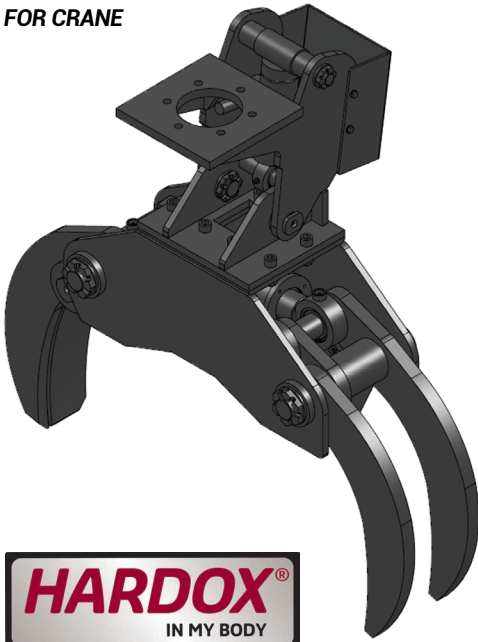


**TC 250C**  
WITH TILTMECHANISM  
FOR CRANE



We accept no substitutes. The "Hardox In My Body" sign on our equipment is your guarantee of genuine Hardox wear plate.

	TC 210C	TC 250C
<b>A</b>	934	1096
<b>B</b>	1032	1360
<b>C</b>	823	1090
<b>D</b>	75	95
<b>E</b>	521	530
<b>F</b>	230	250

### MODEL SPECIFICATIONS



Cutting diam.\*

MODEL	Kg	Bar	l/min	kN	Cutting diam.*
<b>TC 210C</b>	225	250	50	53	210
<b>TC 250C</b>	450	250	70	74	250

\*Softwood