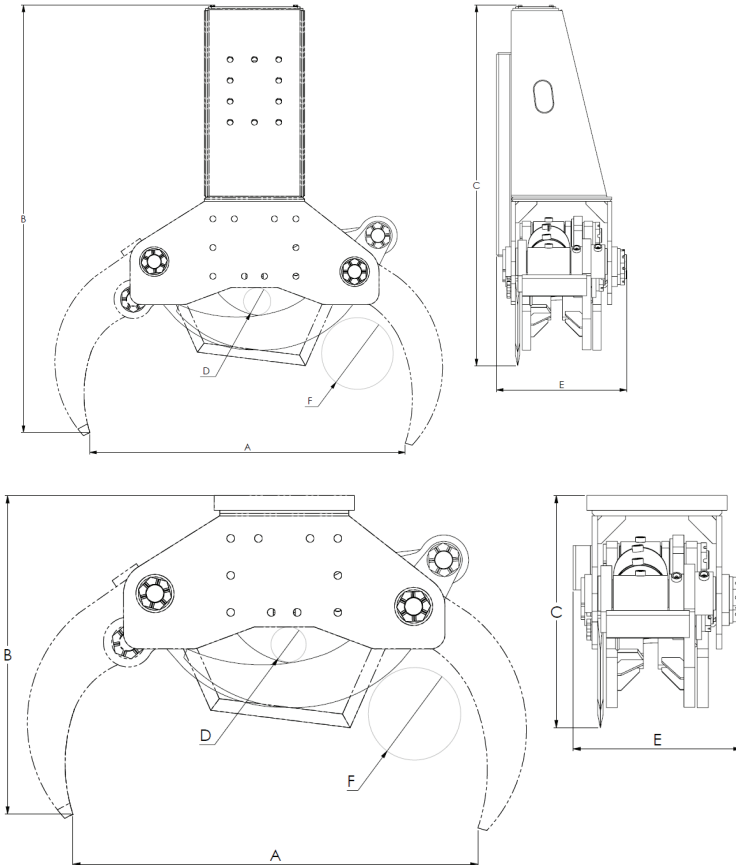




We accept no substitutes. The "Hardox In My Body" sign on our equipment is your guarantee of genuine Hardox wear plate.



	TC 210E	TC 210E/250	TC 250E	TC 300E
A	937	937	1027	1413
B	1344	1344	1545	1956
C	1138	1138	1264	1513
D	75	75	95	85
E	360	360	433	584
F	210	250	250	300

	TC 210R	TC 210R/250	TC 250R	TC 300R
A	1140	1140	1096	1413
B	780	780	899	1308
C	572	572	635	853
D	75	75	95	85
E	375	375	434	584
F	210	250	250	300

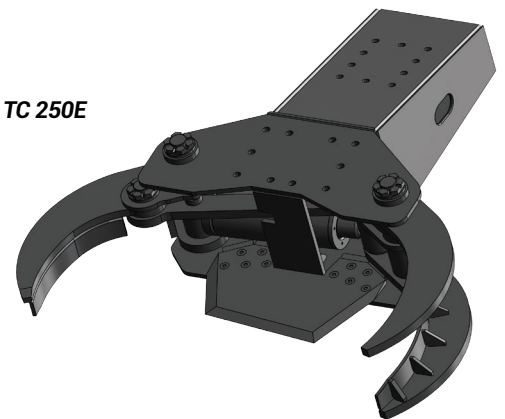
MODEL SPECIFICATIONS



MODEL	Kg	Bar	l/min	kN	rek ton	Cutting diam.*
TC 210E	252	250	50	53	4-10	210
TC 210E/250	252	250	50	53	4-10	210
TC 250E	394	250	70	74	8-18	250
TC 300E	904	300	70-100	120	16-30	300
TC 210R	208	250	50	53	4-10	210
TC 210R/250	208	250	50	53	4-10	250
TC 250R	335	250	70	74	8-16	250
TC 300R	763	300	70-100	120	14-22	300

*Softwood

TC 250E



TC 250R FOR ROTATOR

