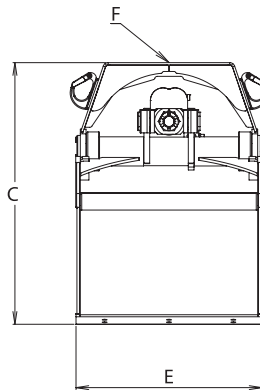
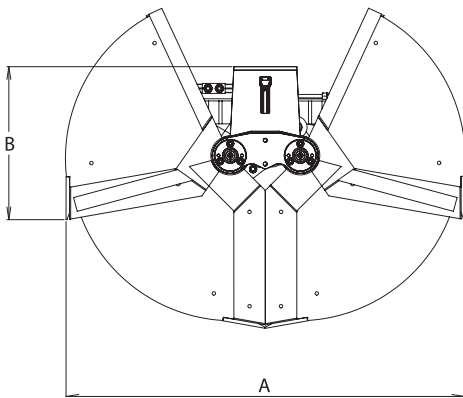


Hardox

KEY FEATURES

- Cutting edges made from Hardox
- Double guide bars
- High pressure cylinder with double piston rod seals
- Pilot operated check valve
- TCB L = Light version



	TCB 420L	TCB 500L	TCB 650L	TCB 800L
A	1340	1340	1340	1340
B	957	957	957	957
C	1398	1398	1398	1398
E	420	500	650	800
F	140X140	140X140	140X140	140X140

	TCB 500	TCB 650	TCB 800	TCB 1000
A	1340	1340	1340	1340
B	957	957	957	957
C	1398	1398	1398	1398
E	500	650	800	1000
F	140x140	140x140	140x140	140x140

MODEL SPECIFICATIONS



Model	Kg	Lt	Bar	l/min	kN	ton	min.
TCB 420L	220	200	250	50	21	2	8
TCB 500L	240	250	250	50	21	2	10
TCB 650L	260	350	250	50	21	2	12
TCB 800L	295	450	250	50	21	2	15
TCB 500	320	250	300	60	28	3	10
TCB 650	344	350	300	60	28	3	12
TCB 800	368	450	300	60	28	3	15
TCB 1000	398	550	300	60	28	3	15