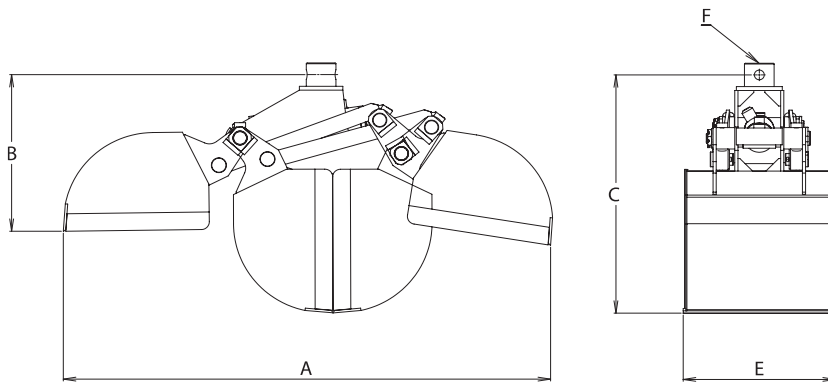


KEY FEATURES

- Double guide bars



	TGS 12-40	TGS 12-50
A	1232	1232
B	437	447
C	612	622
E	385	485
F	40/20	50/25

MODEL SPECIFICATIONS



MODEL	Kg	Lt	Bar	l/min	kN	tm/min	ton
TGS 12-40	60	50	160	30	8	2	0,2
TGS 12-50	65	60	160	30	8	2	0,2