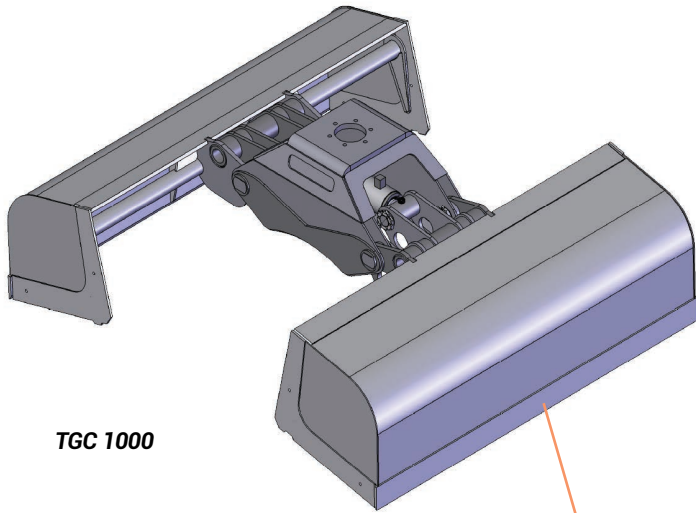
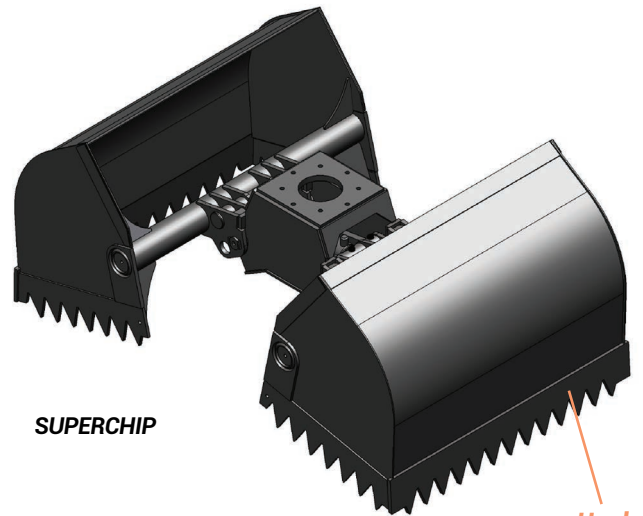


Wood chip grabs



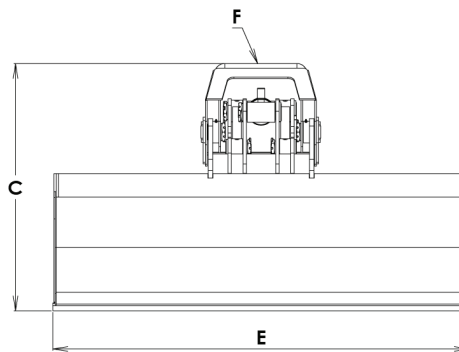
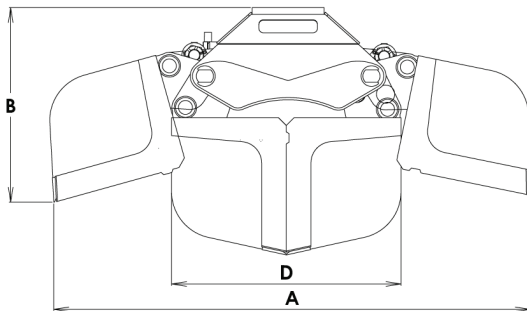
TGC 1000

Hardox



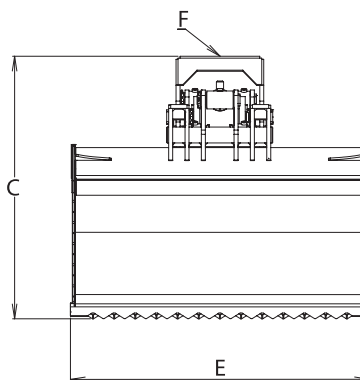
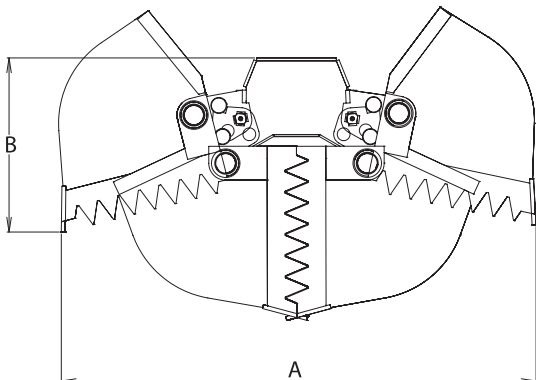
SUPERCHIP

Hardox



TGC 1000

A	2110
B	870
C	1105
D	1020
E	1850
F	173/6-17



Superchip

A	2340
B	904
C	1317
E	1500

MODEL SPECIFICATIONS



TGC 1000	663	1000	250	70	20	17	1,5	-
Superchip	710	1500	300	60	16	20	3	20

KEY FEATURES

- Wood chip grab
- Heavy duty
- High pressure cylinder with double piston rod seals
- High tensile wear resistant steel (400 HB)