

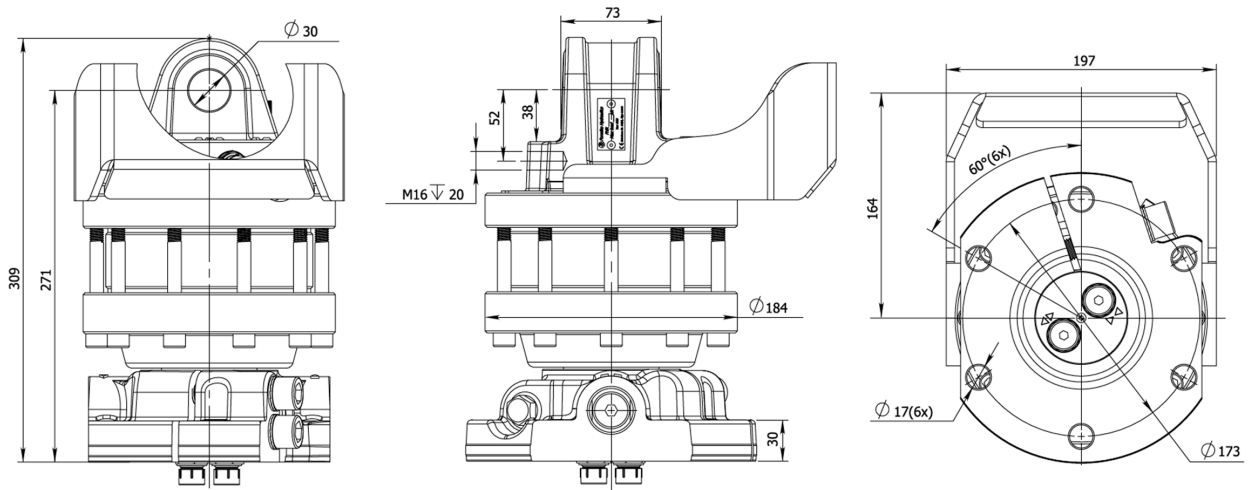
# INTERMERCATO® | IVR 5 F6

HIGH PERFORMANCE LIFT & LOAD ATTACHMENTS



## KEY FEATURES

- Improved performance
- Endless rotation
- High torque
- Optimized positioning performance
- Extra reinforced hose protection included
- Steel flange for increased durability



## MODEL SPECIFICATIONS



IVR 5 F6	36	5,5	250/300	22	360°	1300	3/8"	20	6
----------	----	-----	---------	----	------	------	------	----	---

