

# INTERMERCATO® Clamshell buckets

HIGH PERFORMANCE LIFT & LOAD ATTACHMENTS

## TMC & TMC-O

**The small clamshell bucket for big jobs!**  
Intermercato TMC clamshell bucket for lifting and loading loose material is, despite its low weight, very robust. TMC is low built to fit even the smallest cranes. TMC-O is an open version and TMC-D is for digging ditches.



# A CAGED ANIMAL.

### KEY FEATURES

- Welded cutting edges made of Hardox®
- Can be equipped with teeth
- Double guide bars
- The open version can be equipped with side plates
- TMC is available as ditching grab
- Cylinder with double piston rod seals for high pressure

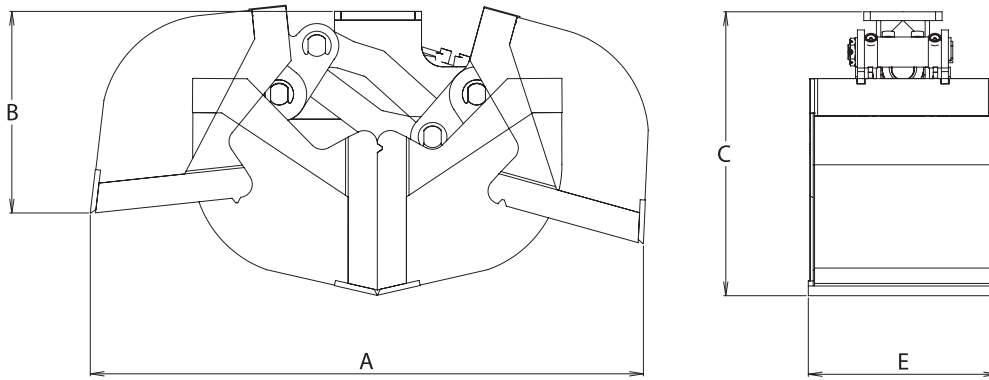
[www.intermercato.com](http://www.intermercato.com)

TMC-O



TMC D-40





	TMC 40	TMC 50	TMC 60	TMC 80	TMC-O 40	TMC-O 50	TMC-O 60	TMC-O 80
<b>A</b>	1270	1270	1270	1270	1270	1270	1270	1270
<b>B</b>	544	544	544	544	544	544	544	544
<b>C</b>	650	650	650	650	650	650	650	650
<b>E</b>	435	535	635	835	435	535	635	835

**MODEL SPECIFICATIONS**



MODEL	Kg	Lt	Bar	l/min	kN	ton	teeth	rotator	side plates	clamshell buckets	tractors
<b>TMC 40</b>	142	125	200	40	12	1	-	6-26	2-6	-	-
<b>TMC 50</b>	152	150	200	40	12	1	-	6-26	2-6	-	-
<b>TMC 60</b>	162	175	200	40	12	1	-	6-26	2-8	-	-
<b>TMC 80</b>	202	200	200	40	12	1	-	6-26	2-8	-	-
<b>TMC-O 40</b>	127	125	200	40	12	1	-	6-26	2-6	-	-
<b>TMC-O 50</b>	137	150	200	40	12	1	-	6-26	2-6	-	-
<b>TMC-O 60</b>	147	175	200	40	12	1	-	6-26	2-8	-	-
<b>TMC-O 80</b>	187	200	200	40	12	1	-	6-26	2-8	-	-

Recommended machine weight and crane size

## Accessorize your grab

### Rotator and other accessories

Accessorize your TMC with teeth, rotator and link. TMC-O can be equipped with side plates. We can also deliver all our grabs and clamshell buckets complete with hose kit!



Intermercato is not only grabs - Explore our complete range of products on [www.intermercato.com](http://www.intermercato.com), or contact our highly skilled sales team.

# INTERMERCATO®

High performance lift and load attachments for Forestry, Transport, Construction and Recycling.



[www.intermercato.com](http://www.intermercato.com) | [info@intermercato.com](mailto:info@intermercato.com) | Tel +46 (0)414 20525 | SE-272 93 Tommarp, Sweden