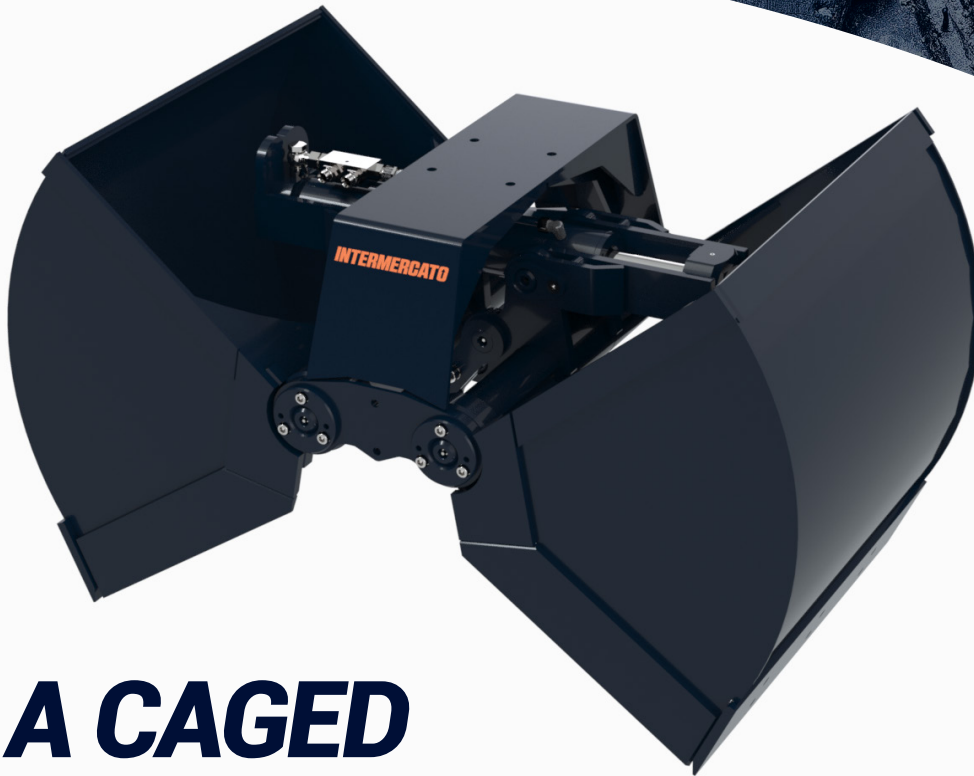


INTERMERCATO® Clamshell buckets

HIGH PERFORMANCE LIFT & LOAD ATTACHMENTS

TCB

Clamshell bucket for digging, loading and unloading
 Very strong clamshell bucket for tough jobs using a cargo crane.
 It's so robust that it can also be used for digging.
 Available in many sizes, also in a low-weight range for lighter applications.

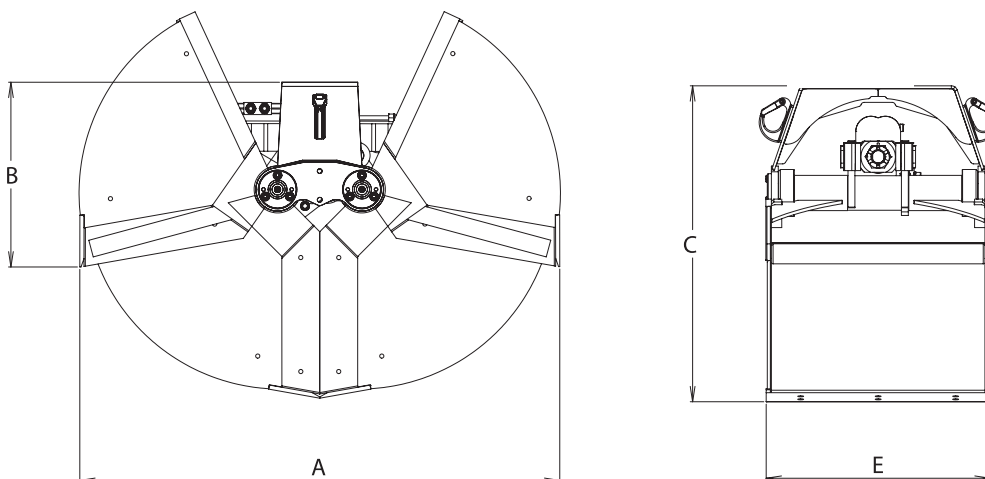


A CAGED ANIMAL.












KEY FEATURES

- Welded cutting edges made of Hardox®
- Torsionally rigid
- Welded lifting hooks
- Check valve as standard
- Double guide bars
- Powerful cylinder with double piston rod seals for high pressure

www.intermercato.com



	TCB 420L	TCB 500L	TCB 650L	TCB 800L	TCB 500	TCB 650	TCB 800	TCB 1000
A	1340	1340	1340	1340	1340	1340	1340	1340
B	957	957	957	957	957	957	957	957
C	1398	1398	1398	1398	1398	1398	1398	1398
E	420	500	650	800	500	650	800	1000

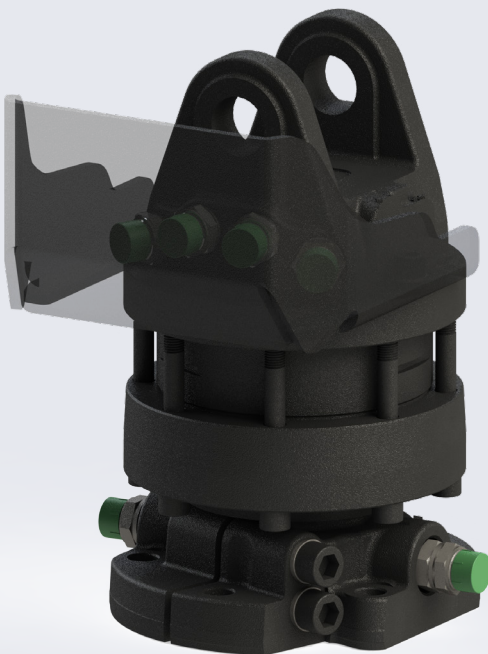
MODEL SPECIFICATIONS	 Kg	 Lt	 Bar	 l/min	 kN	 ton	 tm	 tm	 ton	 ton	
TCB 420L	220	200	250	50	21	2	-	10-32	-	-	-
TCB 500L	240	250	250	50	21	2	-	10-32	-	-	-
TCB 650L	260	350	250	50	21	2	-	10-32	-	-	-
TCB 800L	295	450	250	50	21	2	-	10-32	-	-	-
TCB 500	320	250	300	60	28	3	-	10-32	8-12	-	-
TCB 650	344	350	300	60	28	3	-	10-32	8-12	-	-
TCB 800	368	450	300	60	28	3	-	10-32	8-14	-	-
TCB 1000	398	550	300	60	28	3	-	10-32	8-14	-	-

Recommended machine weight and crane size

Accessorize your grab

Rotator and other accessories

Accessorize your TCB with rotator, link and teeth. We can also deliver all our grabs and clamshell buckets complete with hose kit!



Crane scale

Intermercato is world leading in weighing of hanging load. Our crane scales are based on intelligent technology - an advanced algorithm calculates the weight. It's the only RTT&E certified and legal for trade system in the world for hanging load in motion. Your success starts with Intermercato Intelligent Weighing Systems!



Intermercato is not only grabs - Explore our complete range of products on www.intermercato.com, or contact our highly skilled sales team.

INTERMERCATO®

High performance lift and load attachments for Forestry, Transport, Construction and Recycling.



www.intermercato.com | info@intermercato.com | Tel +46 (0)414 20525 | SE-272 93 Tommarp, Sweden