

# INTERMERCATO

HIGH PERFORMANCE LIFT & LOAD ATTACHMENTS

## Demolition grabs TG DG

**LOTS of steel!**

Intermercato's heavy duty TG DG is an incredibly robust demolition grab, designed with many laths and lots of steel. This, in combination with a carefully tested geometry and oversized cylinder makes it almost indestructible.

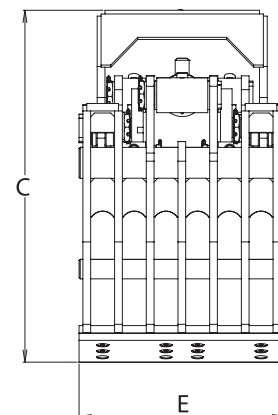
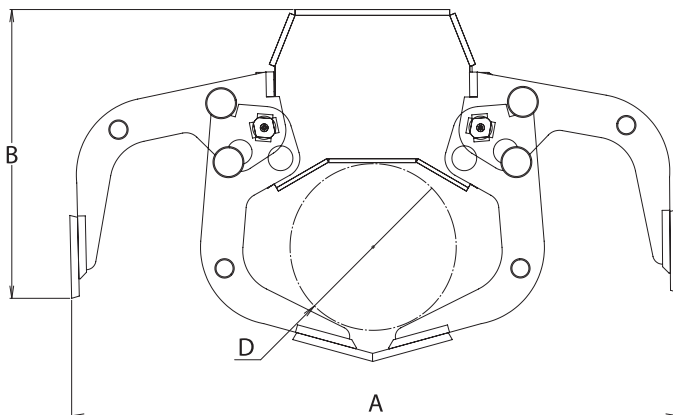


### KEY FEATURES

- Completely made of Hardox®
- Torsionally rigid thanks to many steel laths
- Reversible cutting edges
- Check valve as standard
- BWG bushings with special alloy for extra durability
- Oversized cylinder with double piston rod seals for high pressure

# DEFINITELY A BEAST.

[www.intermercato.com](http://www.intermercato.com)



|          | TG<br>15 DG | TG<br>18 DG | TG<br>20 DG | TG<br>20 DGW | TG<br>25 DGL | TG<br>25 DG | TG<br>30 DG |
|----------|-------------|-------------|-------------|--------------|--------------|-------------|-------------|
| <b>A</b> | 1154        | 1430        | 1556        | 1556         | 1936         | 1936        | 2347        |
| <b>B</b> | 535         | 632         | 737         | 737          | 893          | 893         | 1057        |
| <b>C</b> | 661         | 745         | 897         | 897          | 1095         | 1095        | 1297        |
| <b>D</b> | 315         | 370         | 430         | 430          | 530          | 530         | 650         |
| <b>E</b> | 390         | 532         | 532         | 700          | 800          | 800         | 1000        |

**MODEL SPECS.**



|                  |      |      |     |    |      |   |   |   |   |       |   |
|------------------|------|------|-----|----|------|---|---|---|---|-------|---|
| <b>TG 15 DG</b>  | 190  | 0,14 | 250 | 40 | 17,5 | - | - | - | - | 4-8   | - |
| <b>TG 18 DG</b>  | 340  | 0,18 | 250 | 50 | 18,5 | - | - | - | - | 8-12  | - |
| <b>TG 20 DG</b>  | 495  | 0,20 | 320 | 60 | 33   | - | - | - | - | 10-16 | - |
| <b>TG 20 DGW</b> | 575  | 0,20 | 320 | 60 | 33   | - | - | - | - | 10-16 | - |
| <b>TG 25 DGL</b> | 810  | 0,35 | 320 | 90 | 57   | - | - | - | - | 16-24 | - |
| <b>TG 25 DG</b>  | 900  | 0,35 | 320 | 90 | 57   | - | - | - | - | 18-28 | - |
| <b>TG 30 DG</b>  | 1465 | 0,50 | 320 | 90 | 69   | - | - | - | - | 22-32 | - |

Recommended machine weight and crane size



Intermercato is not only grapples - Explore our complete range of products on [www.intermercato.com](http://www.intermercato.com), or contact our proficient sales team.

## Accessorize your grab

### Excavator attachment and rotator

Accessorize your grab with an excavator attachment! We have suitable attachments for all types of excavators. We can also deliver all our grabs and clamshell buckets complete with hose kit!

### Accumulator and check valve

Can also be equipped with accumulator from Parker.



# INTERMERCATO

High performance lift and load attachments for Forestry, Transport, Construction and Recycling.

