

The grab with optimal roll in- roll out properties
The robust design allows heavy lifts and the double guide bars gives increased stability.

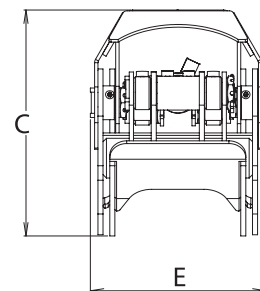
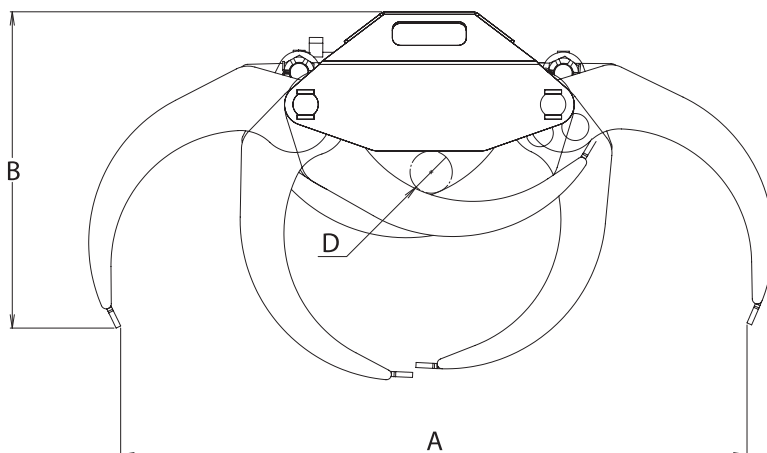


**DEFINITELY
A BEAST.**

KEY FEATURES

- TG 22 PRO L up to TG 28 have claws made of Hardox®
- TG 28 has homogeneous guide bars made of Hardox®
- Optimal roll in- roll out properties
- Cylinder with double piston rod seals for high pressure

www.intermercato.com



	TG 08	TG 12	TG 16-50	TG 19	TG 22	TG 22-50	TG 22 PRO-L	TG 23	TG 25	TG 28
A	690	765	933	1120	1287	1287	1200	1262	1450	1485
B	465	610	590	704	594	624	623	631	746	750
C	300	366	400	454	509	539	446	465	510	535
D	32	38	60	47	87	87	65	55	40	100
E	224	263	287	291	311	311	432	401	371	416

MODEL SPECS.	Kg	m ²	Bar	l/min	kN	ton	tm	tm	ton	ton		
TG 08	25	0,08	160	15	4	0,3	0,5	1	0,5-1	-	-	
TG 12	44	0,12	200	30	8	0,6	2	3	1-3	-	-	
TG 16-50	50	0,16	200	35	9	0,8	2	3	1-3	-	-	
TG 19	67	0,18	200	40	10	1	2,5	4	1-4	-	-	
TG 22	98	0,22	200	40	13,5	1,5	3	8	2-6	-	-	
TG 22-50	98	0,22	200	40	13,5	1,5	3	8	2-6	-	-	
TG 22 PRO-L	128	0,20	250	40	14,5	2	5	10	3-10	Yes	-	
TG 23	120	0,23	200	50	13,5	1,5	3	8	2-6	-	-	
TG 25	138	0,25	200	50	11	2	3	10	3-6	-	-	
TG 28	185	0,30	250	60	16,6	3	8	14	4-8	-	-	

Recommended machine weight and crane size

Accessorize your grab

Crane scale

Intermercato is world leading in weighing of hanging load. Our crane scales are based on intelligent technology - an advanced algorithm calculates the weight.

Most of our crane scales are legal for trade. It is the only RTT&E certified and legal for trade system in the world for hanging load in motion. Your success starts with Intermercato Intelligent Weighing Systems

Rotator and other accessories

Accessorize your grab with rotator and link. We can also deliver all our grabs and clamshell buckets complete with hose kit!



Intermercato is not only grapples - Explore our complete range of products on www.intermercato.com, or contact our proficient sales team.

INTERMERCATO®

High performance lift and load attachments for Forestry, Transport, Construction and Recycling.



www.intermercato.com | info@intermercato.com | Tel +46 (0)414 20525 | SE-272 93 Tommarp, Sweden