

# INTERMERCATO

HIGH PERFORMANCE LIFT & LOAD ATTACHMENTS

Stone grabs

TG ST & SR

One of our oldest products - a faithful servant!

Grapple for all sorts of paving work.  
3 claws makes handling of natural stone a piece of cake!

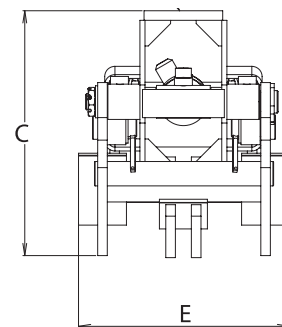
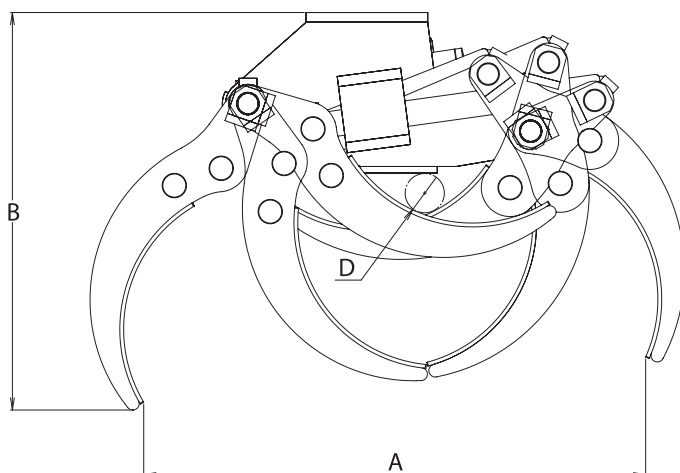


## DEFINITELY A BEAST.

### KEY FEATURES

- Made of Hardox®
- Suitable for mounting on crane or rigid mounting on excavator
- 3 claws - perfect for handling of natural stone
- Cylinder with double piston rod seals for high pressure

[www.intermercato.com](http://www.intermercato.com)



	TG 16 ST	TG 22 ST	TG 25 SR3	TG 25 SR4	TG 28 SR3
A	785	1035	1203	1460	1500
B	620	780	637	637	730
C	382	518	516	516	582
D	65	85	45	45	100
E	330	350	423	423	508

MODEL SPECS.	 Kg	 m²	 Bar	 l/min	 kN	 ton	 tm	 tm	 ton	 ton	
TG 16 ST	65	0,16	200	40	9	1	3	2	1-3	1-2	-
TG 22 ST	125	0,22	200	50	13,5	1,5	4	3	2-6	1-3	-
TG 25 SR3	213	0,20	250	50	12,6	3	10	7	6-8	3-7	-
TG 25 SR4-W	230	0,20	250	50	12,6	3	10	7	6-8	3-7	-
TG 28 SR3	300	0,30	250	60	16,6	5	15	12	6-16	6-12	-

Recommended machine weight and crane size

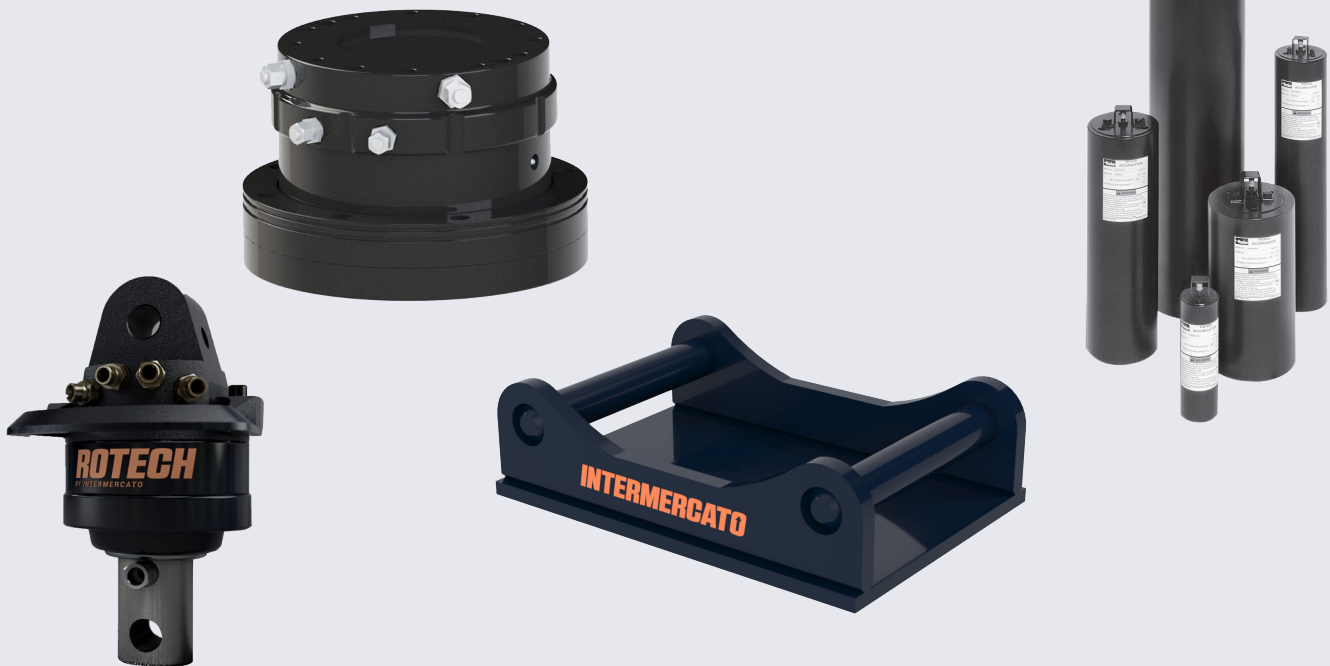
## Accessorize your grab

### Excavator attachment and rotator

Accessorize your grab with an excavator attachment! We have suitable attachments for all types of excavators. We can also deliver all our grabs and clamshell buckets complete with hose kit!

### Accumulator and check valve

Can also be equipped with accumulator from Parker and check valve.



Intermercato is not only grapples - Explore our complete range of products on [www.intermercato.com](http://www.intermercato.com), or contact our proficient sales team.

# INTERMERCATO

High performance lift and load attachments for Forestry, Transport, Construction and Recycling.



[www.intermercato.com](http://www.intermercato.com) | [info@intermercato.com](mailto:info@intermercato.com) | Tel +46 (0)414 20525 | SE-272 93 Tommarp, Sweden