

The bestseller TGO - Lot of bucket for your money

Our open clamshell bucket with optional side plates is an all-round tool in its truest sense. The carefully tested, extremely robust design with shafts through the whole width of the body makes the TGO very durable and torsionally rigid.

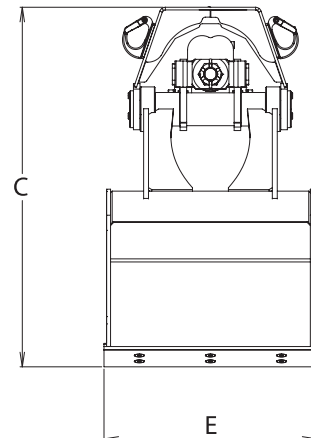
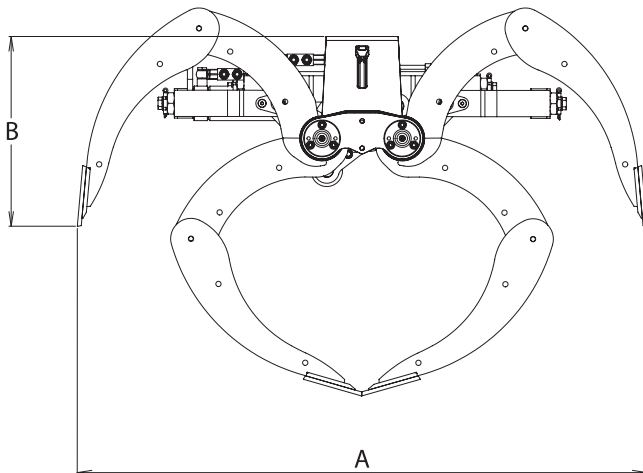


KEY FEATURES

- Made of Hardox[®]
- Reversible cutting edges made of Hardox[®]
- 2 t lifting hooks
- Check valve as standard
- Double guide bars
- BWG bushings with special alloy for extra durability
- Cylinder with double piston rod seals

A CAGED ANIMAL.

www.intermercato.com



	TGO 500	TGO 650	TGO 800	TGO 900	TGO 1000	TGO 1200
A	1739	1739	1739	1739	1739	1739
B	578	578	578	578	578	578
C	1095	1095	1095	1095	1095	1095
E	500	650	800	900	1000	1200

MODEL SPECIFICATIONS



MODEL	Kg	Lt	Bar	l/min	kN	ton	tm	tm	E ton	E ton	
TGO 500	315	200	300	60	25	3	-	12-32	-	-	-
TGO 650	340	300	300	60	25	3	-	12-32	-	-	-
TGO 800	370	400	300	60	25	3	-	12-32	-	-	-
TGO 900	390	450	300	60	25	3	-	12-32	-	-	-
TGO 1000	405	500	300	60	25	3	-	12-32	-	-	-
TGO 1200	440	600	300	60	25	3	-	12-32	-	-	-

Recommended machine weight and crane size



Intermercato is not only grabs - Explore our complete range of products on www.intermercato.com, or contact our highly skilled sales team.

Accessorize your grab

Side plates, rotator and other accessories

Accessorize your TGO with side plates, rotator, and link. We can also deliver all our grabs and clamshell buckets complete with hose kit!

Crane scale

Intermercato is world leading in weighing of hanging load. Our crane scales are based on intelligent technology - an advanced algorithm calculates the weight. It's the only RTT&E certified and legal for trade system in the world for hanging load in motion. Your success starts with Intermercato Intelligent Weighing Systems!



INTERMERCATO®

High performance lift and load attachments for Forestry, Transport, Construction and Recycling.

