

# INTERMERCATO®

HIGH PERFORMANCE LIFT & LOAD ATTACHMENTS

## Universal grabs TGO

### The bestseller TGO - Lot of bucket for your money

Our open clamshell bucket with optional side plates is an all-round tool in its truest sense. The carefully tested, extremely robust design with shafts through the whole width of the body makes the TGO very durable and torsionally rigid.

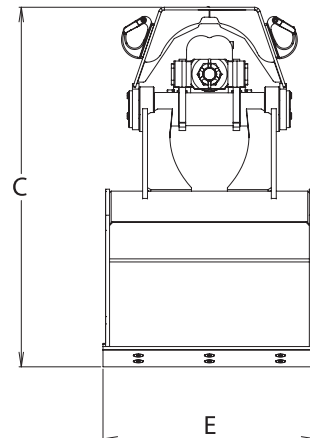
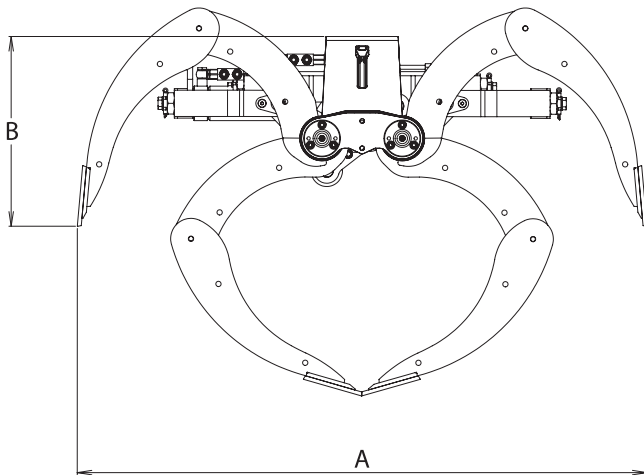


#### KEY FEATURES

- Made of Hardox®
- Reversible cutting edges made of Hardox®
- 2 t lifting hooks
- Check valve as standard
- Double guide bars
- BWG bushings with special alloy for extra durability
- Cylinder with double piston rod seals

# A CAGED ANIMAL.

[www.intermercato.com](http://www.intermercato.com)



	TGO 500	TGO 650	TGO 800	TGO 900	TGO 1000	TGO 1200
<b>A</b>	1739	1739	1739	1739	1739	1739
<b>B</b>	578	578	578	578	578	578
<b>C</b>	1095	1095	1095	1095	1095	1095
<b>E</b>	500	650	800	900	1000	1200



**MODEL SPECIFICATIONS**



MODEL	Kg	Lt	Bar	l/min	kN	ton	tm	tm	E ton	E ton	
TGO 500	315	200	300	60	25	3	-	12-32	-	-	-
TGO 650	340	300	300	60	25	3	-	12-32	-	-	-
TGO 800	370	400	300	60	25	3	-	12-32	-	-	-
TGO 900	390	450	300	60	25	3	-	12-32	-	-	-
TGO 1000	405	500	300	60	25	3	-	12-32	-	-	-
TGO 1200	440	600	300	60	25	3	-	12-32	-	-	-

Recommended machine weight and crane size



Intermercato is not only grabs - Explore our complete range of products on [www.intermercato.com](http://www.intermercato.com), or contact our highly skilled sales team.

## Accessorize your grab

### Side plates, rotator and other accessories

Accessorize your TGO with side plates, rotator, and link. We can also deliver all our grabs and clamshell buckets complete with hose kit!

### Crane scale

Intermercato is world leading in weighing of hanging load. Our crane scales are based on intelligent technology - an advanced algorithm calculates the weight. It's the only RTT&E certified and legal for trade system in the world for hanging load in motion. Your success starts with Intermercato Intelligent Weighing Systems!



# INTERMERCATO®

High performance lift and load attachments for Forestry, Transport, Construction and Recycling.

