

INTERMERCATO[®]
HIGH PERFORMANCE LIFT & LOAD ATTACHMENTS

Volume grabs TCB HD

Extremely strong volume grab for excavators

The heavy duty volume grab from Intermercato has the same body as our DG demolition grabs and is available in 560-1300 l. Oversized dimensions for heavy duty jobs. Special clamshell width on request.

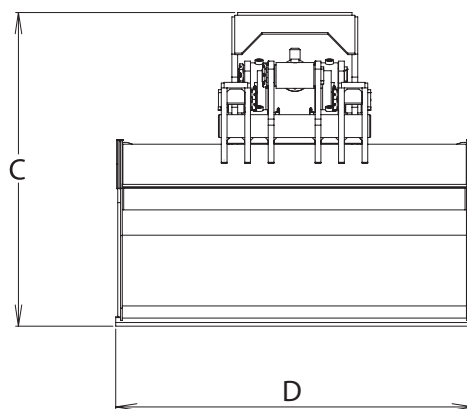
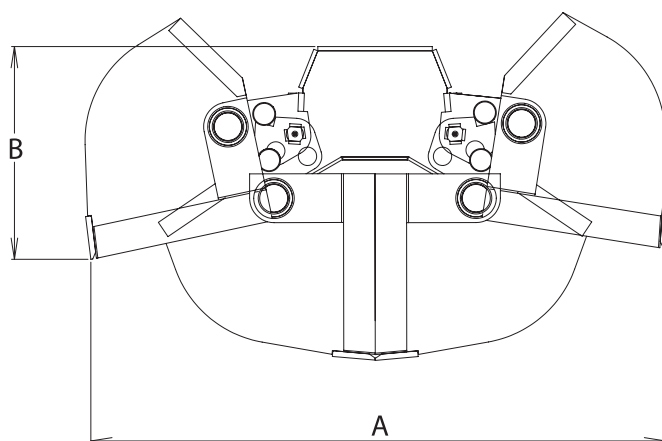


A CAGED ANIMAL.









KEY FEATURES

- Welded cutting edges made of Hardox[®]
- Body made of Hardox[®]
- Homogeneous guide bars made of Hardox[®]
- Torsionally rigid
- High gripping force
- BWG bushings with special alloy for extra durability

www.intermercato.com



	TCB 20 HD 1000	TCB 20 HD 1250	TCB 25 HD 1000	TCB 25 HD 1500
A	1515	1944	2236	2245
B	790	790	902	924
C	1094	1094	1246	1247
E	1000	1250	1000	1500

MODEL SPECIFICATIONS	 Kg	 Lt	 Bar	 I/min	 kN	 ton	 tm	 tm	 ton	 ton	
TCB 20 HD 1000	520	560	300	60	16	30	-	-	12-22	-	-
TCB 20 HD 1250	560	700	300	60	16	30	-	-	12-22	-	-
TCB 25 HD 1000	920	1000	250	60	27,5	-	-	-	18-30	-	-
TCB 25 HD 1500	1070	1300	250	60	32	-	-	-	18-32	-	-

Recommended machine weight and crane size

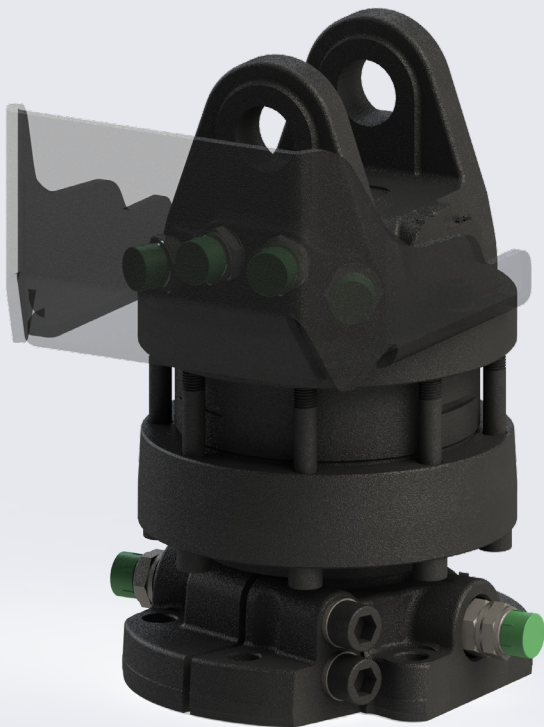
Accessorize your grab

Rotator and other accessories

Accessorize your TCB HD with rotator, link and check valve. We can also deliver all our grabs and clamshell buckets complete with hose kit!

Crane scale

Intermercato is world leading in weighing of hanging load. Our crane scales are based on intelligent technology - an advanced algorithm calculates the weight. It's the only RTT&E certified and legal for trade system in the world for hanging load in motion. Your success starts with Intermercato Intelligent Weighing Systems!



Intermercato is not only grabs - Explore our complete range of products on www.intermercato.com, or contact our highly skilled sales team.

INTERMERCATO®

High performance lift and load attachments for Forestry, Transport, Construction and Recycling.



www.intermercato.com | info@intermercato.com | Tel +46 (0)414 20525 | SE-272 93 Tommarp, Sweden