

Extremely robust and torsionally rigid volume grab
TVG volume grab for cargo cranes and recycling cranes is equipped with a powerful cylinder for very high gripping force. The body has the same width as the buckets which makes it extra torsionally rigid.

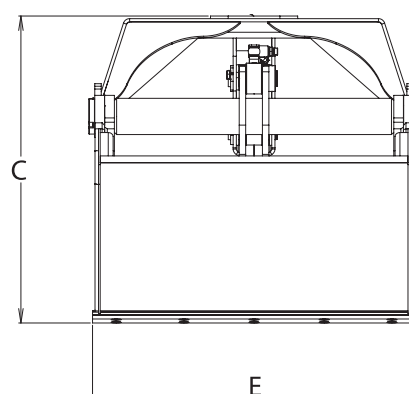
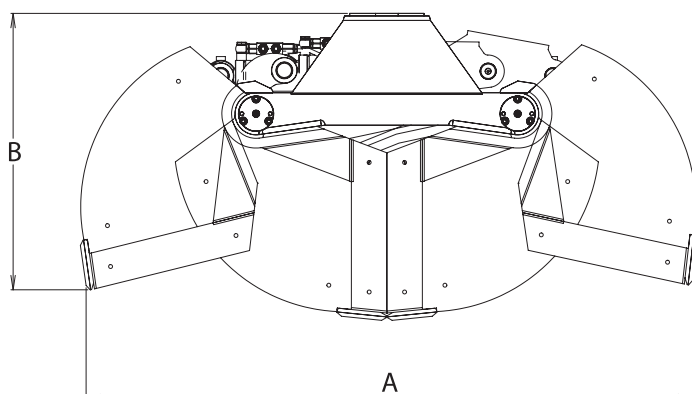


A CAGED ANIMAL.

KEY FEATURES

- Reversible cutting edges made of Hardox®
- Extra torsionally rigid thanks to the wide body
- Welded lifting shackles
- Check valve as standard
- Very powerful cylinder with double piston rod seals for high pressure

www.intermercato.com



	TVG 650	TVG 800	TVG 1000
A	1862	1862	1862
B	837	837	837
C	1310	1310	1310
E	650	800	1000

MODEL SPECIFICATIONS



TVG 650	410	350	250	60	28	3	-	12-32	10-15	-	-
TVG 800	475	400	250	60	28	3	-	12-32	10-15	-	-
TVG 1000	520	500	250	60	28	3	-	12-32	10-16	-	-

Recommended machine weight and crane size

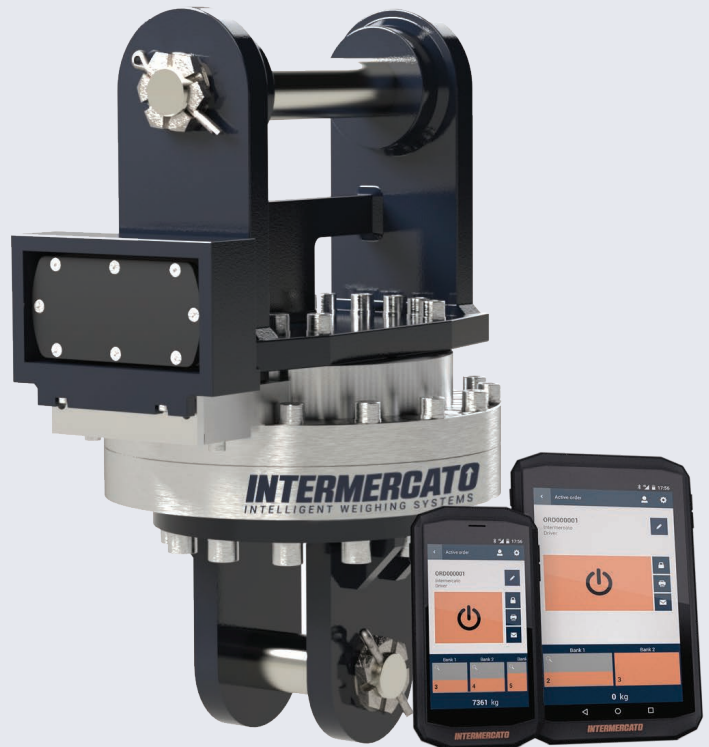
Accessorize your grab

Rotator and other accessories

Accessorize your TVG with rotator and link. We can also deliver all our grabs and clamshell buckets complete with hose kit!

Crane scale

Intermercato is world leading in weighing of hanging load. Our crane scales are based on intelligent technology - an advanced algorithm calculates the weight. It's the only RTT&E certified and legal for trade system in the world for hanging load in motion. Your success starts with Intermercato Intelligent Weighing Systems!



Intermercato is not only grabs - Explore our complete range of products on www.intermercato.com, or contact our highly skilled sales team.

INTERMERCATO®

High performance lift and load attachments for Forestry, Transport, Construction and Recycling.



www.intermercato.com | info@intermercato.com | Tel +46 (0)414 20525 | SE-272 93 Tommarp, Sweden