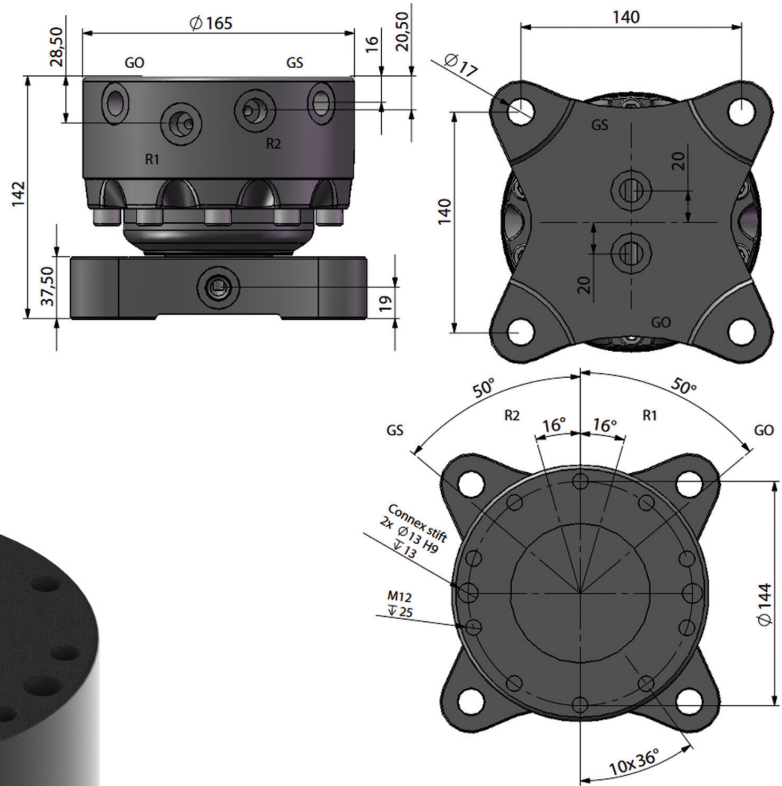


### KEY FEATURES

- High pressure construction
- Endless rotation
- Optimized positioning performance
- Ultra compact design



### MODEL SPECIFICATIONS



RMR 2	20	2	320	25	360°	1100	3/8"	6	2,5
-------	----	---	-----	----	------	------	------	---	-----

