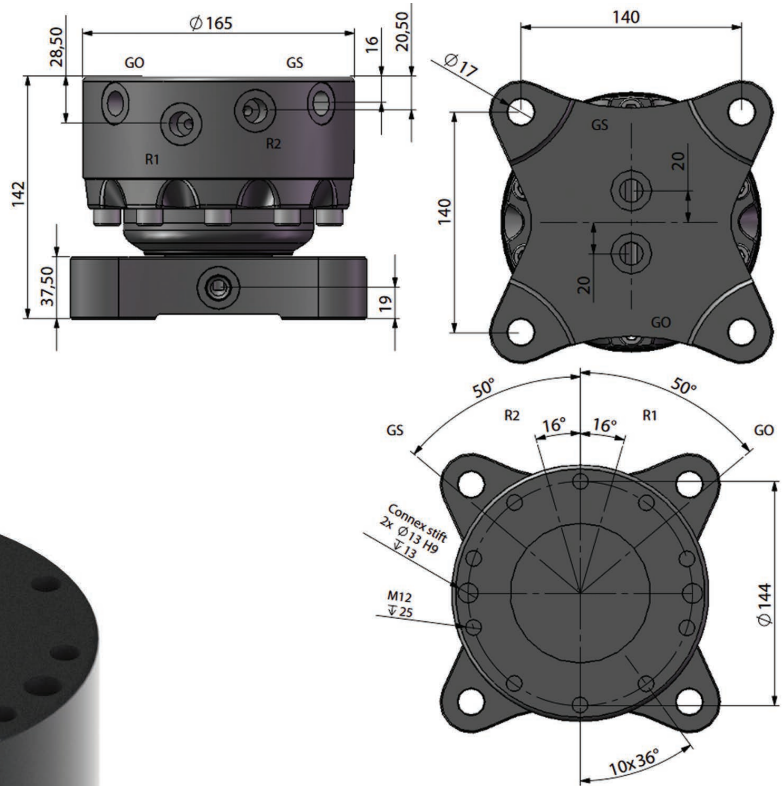


KEY FEATURES

- High pressure construction
- Endless rotation
- Optimized positioning performance
- Ultra compact design



MODEL SPECIFICATIONS



| | | | | | | | | | |
|-------|----|---|-----|----|------|------|------|---|-----|
| RMR 2 | 15 | 2 | 320 | 25 | 360° | 1100 | 3/8" | 6 | 2,5 |
|-------|----|---|-----|----|------|------|------|---|-----|

