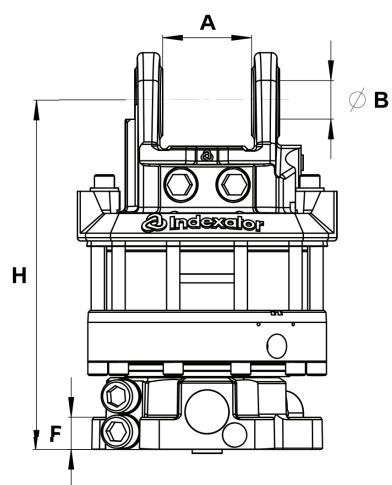


Indexator / GV 12.2

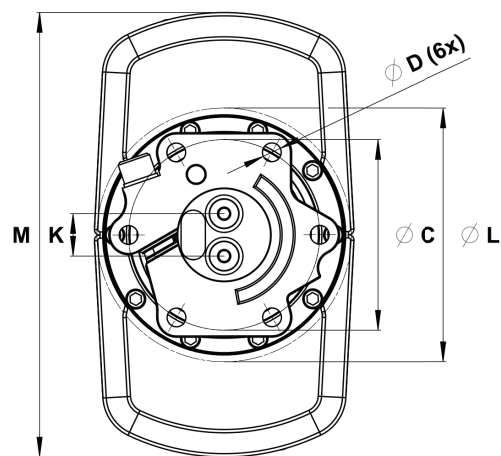


KEY FEATURES

- Endless rotation
- High torque
- Optimized positioning performance
- Hose protection included



A	80,5
B	Ø35
C	Ø173
D	Ø17
F	30
H	317
K	38,5
L	Ø209
M	404



MODEL SPECIFICATIONS



GV 12.2	56,9	10	250	25	360°	2200	1/2"	12	25
---------	------	----	-----	----	------	------	------	----	----

INTERMERCATO®

High performance lift and load attachments for Forestry, Transport, Construction and Recycling.

