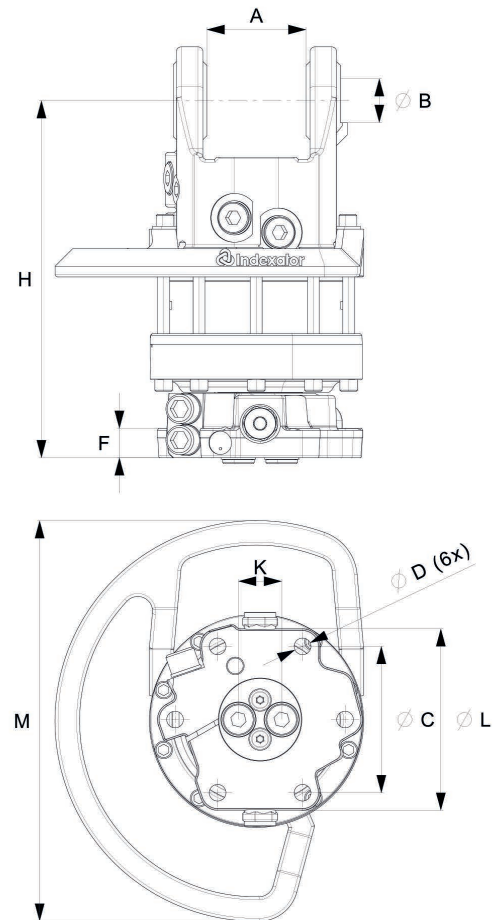


Indexator / GV 124 S



KEY FEATURES

- Fitted with extra hydraulic channels which make it possible to install additional equipment, such as grapple saws and harvester heads.
- Robust, tried and tested design
- Superior material selection
- Low pressure drops

A	101
B	Ø45
C	Ø173
D	Ø17
F	30
H	365
K	44
L	Ø229
M	410

MODEL SPECIFICATIONS



GV 124 S	65,9	10	250	25	360°	2200	1/2" / 3/4"
----------	------	----	-----	----	------	------	-------------

INTERMERCATO®

High performance lift and load attachments for Forestry, Transport, Construction and Recycling.

