

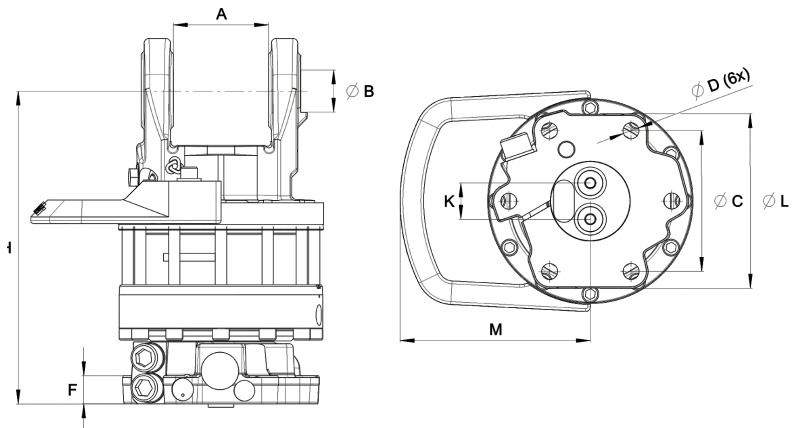
Indexator / GV 14 S



KEY FEATURES

- Endless rotation
- High torque
- Optimized positioning performance
- Hose protection included

A	101
B	Ø45
C	Ø173
D	Ø17
F	30
H	333
K	38,5
L	Ø209
M	202



MODEL SPECIFICATIONS



GV 14 S

58,9

10

250

35

360°

3300

1/2"

INTERMERCATO®

High performance lift and load attachments for Forestry, Transport, Construction and Recycling.

