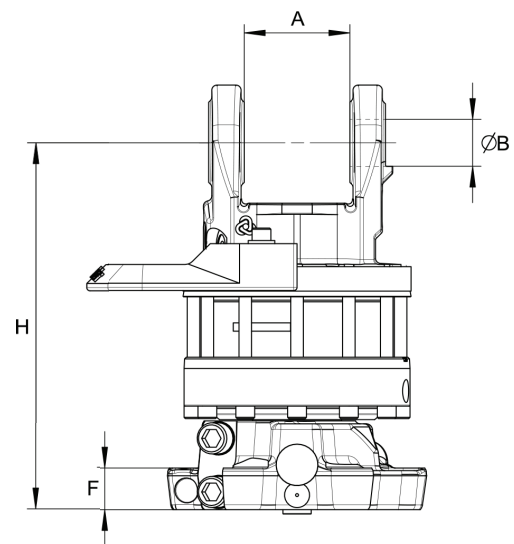


Indexator / GV 17 S-203

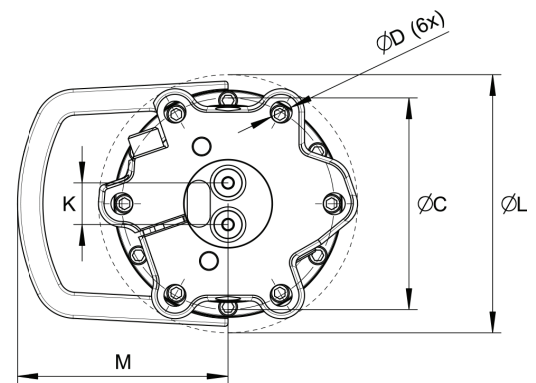


KEY FEATURES

- Endless rotation
- High torque
- Optimized positioning performance
- Hose protection included



A	101
B	Ø45
C	Ø203
D	Ø21
F	40
H	353
K	40
L	Ø243
M	202



MODEL SPECIFICATIONS



GV 17 S-203	63,8	17	250	35	360°	3300	1/2"
-------------	------	----	-----	----	------	------	------

INTERMERCATO®

High performance lift and load attachments for Forestry, Transport, Construction and Recycling.

