

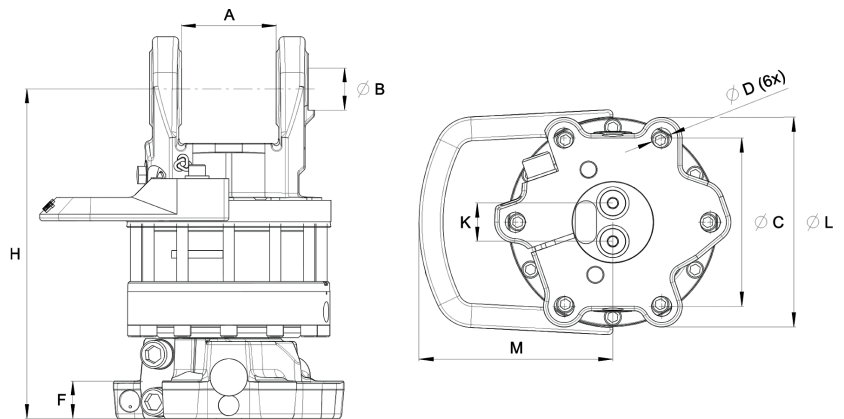
Indexator / GV 17 S-203



KEY FEATURES

- Endless rotation
- High torque
- Optimized positioning performance
- Hose protection included

A	101
B	Ø45
C	Ø203
D	Ø21
F	40
H	353
K	40
L	Ø243
M	202



MODEL SPECIFICATIONS



GV 17 S-203

63,8

17

250

35

360°

3300

1/2"

INTERMERCATO®

High performance lift and load attachments for Forestry, Transport, Construction and Recycling.

