

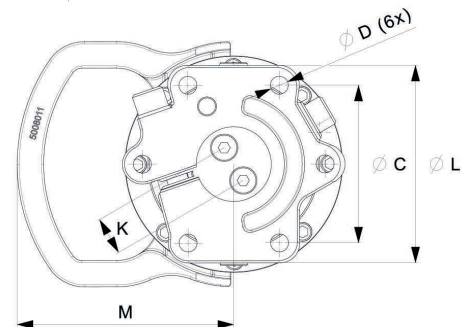
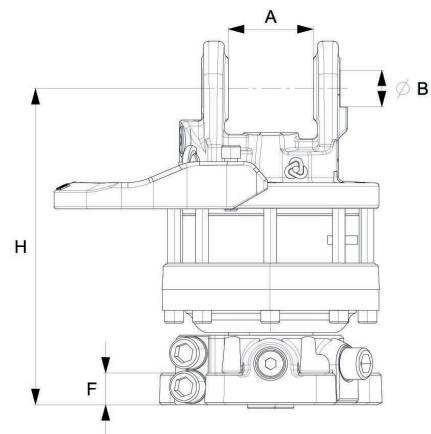
Indexator / GV 6



KEY FEATURES

- Endless rotation
- High torque
- Optimized positioning performance
- Hose protection included

A	80,5
B	Ø35
C	Ø173
D	Ø17
F	30
H	300
K	36
L	Ø231
M	205



MODEL SPECIFICATIONS



GV 6	44,9	6	200	25	360°	1400	1/2"
------	------	---	-----	----	------	------	------

INTERMERCATO®

High performance lift and load attachments for Forestry, Transport, Construction and Recycling.

