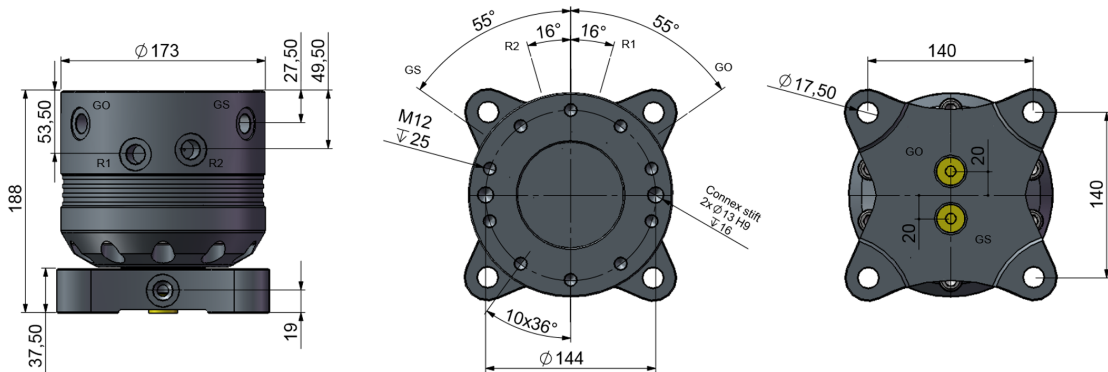


KEY FEATURES

- High pressure construction
- Endless rotation
- Optimized positioning performance
- Ultra compact design



MODEL SPECIFICATIONS



RMR 3	28	5	320	25	360°	1300	M18x1,5	10	3,5
-------	----	---	-----	----	------	------	---------	----	-----

