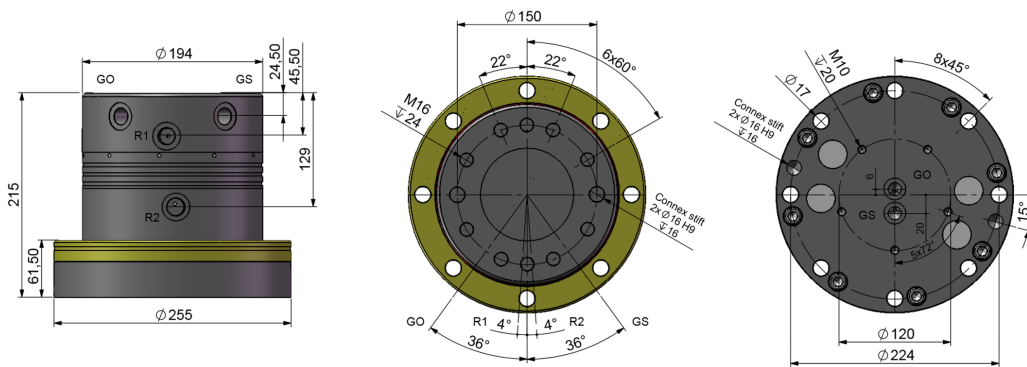




KEY FEATURES

- High pressure construction
- Endless rotation
- High torque
- Optimized positioning performance
- Steel flange for increased durability



MODEL SPECIFICATIONS



RMR 6-224	61	16	320	22	360°	2500	G1/2"	16	7
-----------	----	----	-----	----	------	------	-------	----	---

