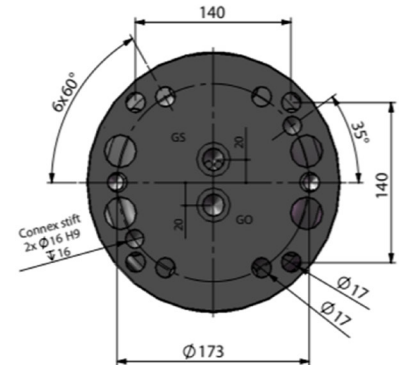
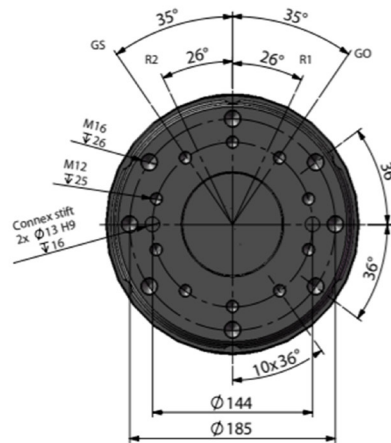


KEY FEATURES

- High pressure construction
- Endless rotation
- High torque
- Optimized positioning performance
- Steel flange for increased durability
- Ultra compact design



MODEL SPECIFICATIONS



RMR 6 C	49	7	320/320	25	360°	2800	1/2"	14	6
---------	----	---	---------	----	------	------	------	----	---

