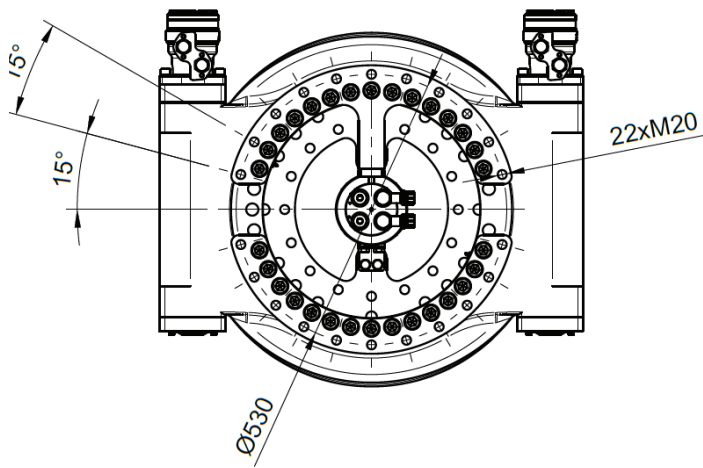
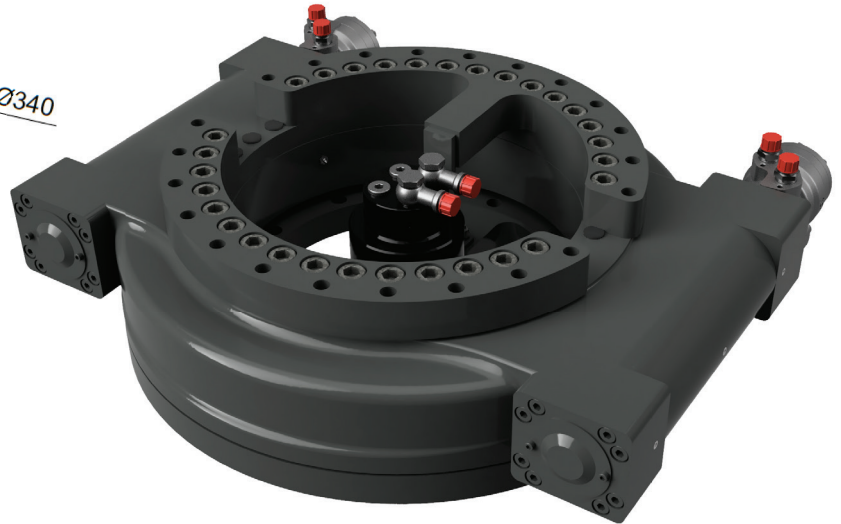
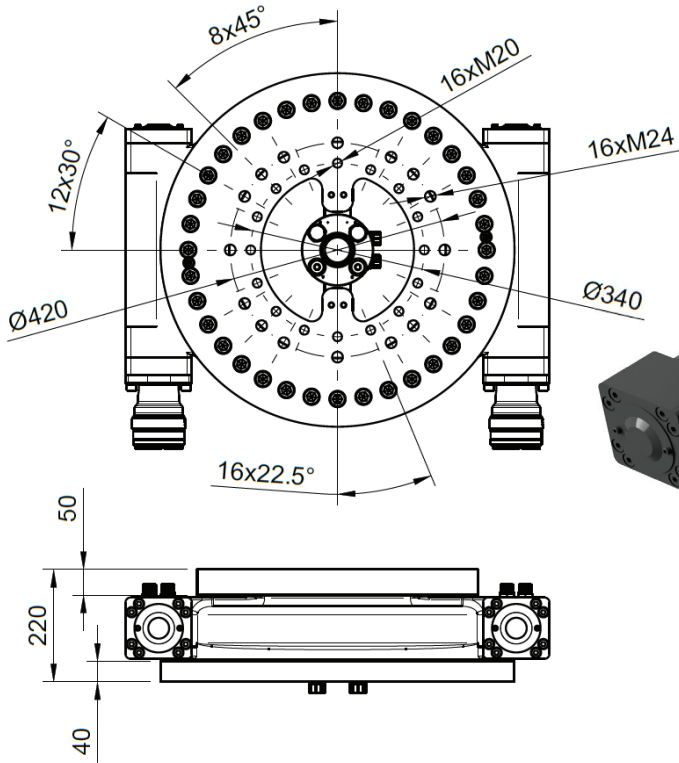


## Worm Drive 21-2

SPECIAL NON-SELF LOCKING WORM DRIVE ROTATORS FOR INCREASED ROTATION SPEED



### KEY FEATURES

- Low built
- High torque
- Exact positioning
- High axial and radial load capacity

### MODEL SPECIFICATIONS

| MODEL SPECIFICATIONS | Kg  | ton | ton | Bar | Bar | l/min | l/min | Nm   | ROTATION SPEED | G 1/2" | G 1/2" | ton   |
|----------------------|-----|-----|-----|-----|-----|-------|-------|------|----------------|--------|--------|-------|
| WDR 21-2             | 320 | 25  | 12  | 250 | 120 | 100   | 2x25  | 7100 | 4,3 rpm        | G 1/2" | G 1/2" | 18-30 |