

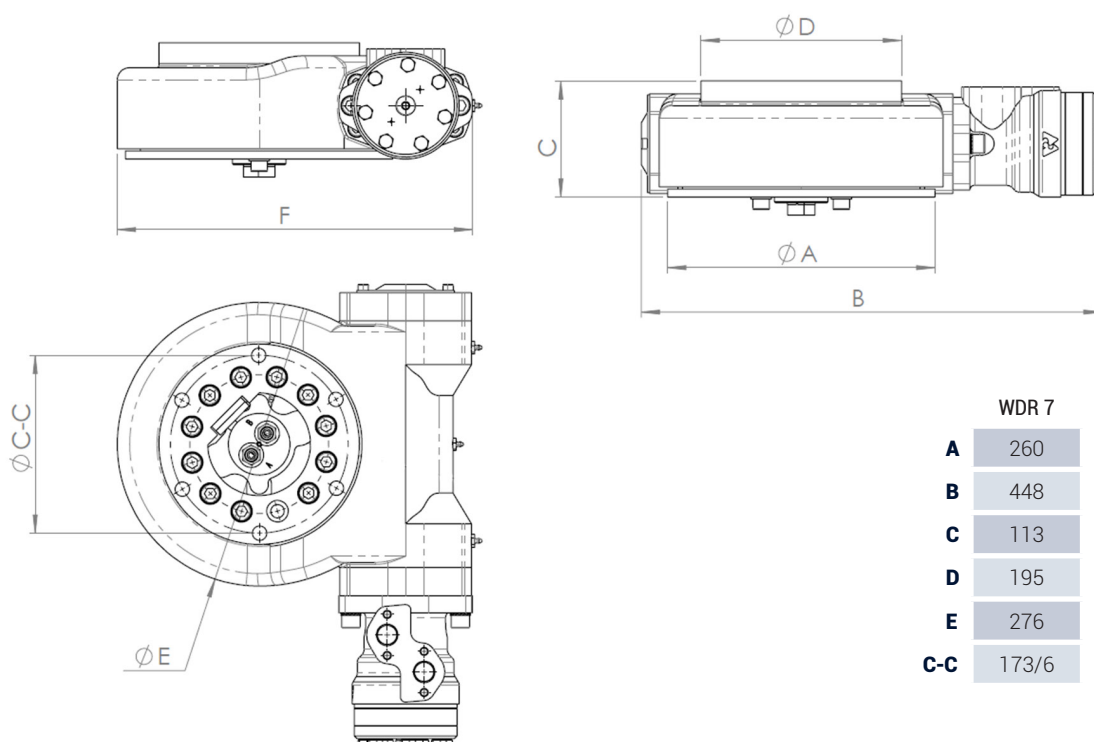
Worm Drive 7

SPECIALLY DESIGNED LOW RATIO WORM DRIVES FOR SAFE AND SMOOTH OPERATION



KEY FEATURES

- Low built
- High torque
- Exact positioning
- High axial and radial load capacity



WDR 7	
A	260
B	448
C	113
D	195
E	276
C-C	173/6

MODEL SPECIFICATIONS

									ROTATION SPEED			
WDR 7	49	5,5	2,25	250	120	40	15	1760	3,6 rpm	G 1/4"	G 1/2"	3-6