

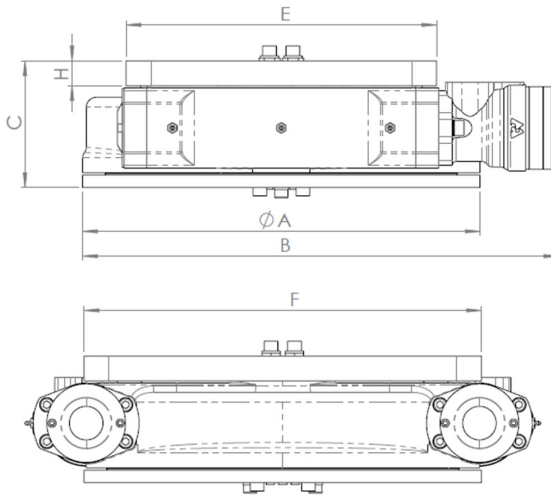
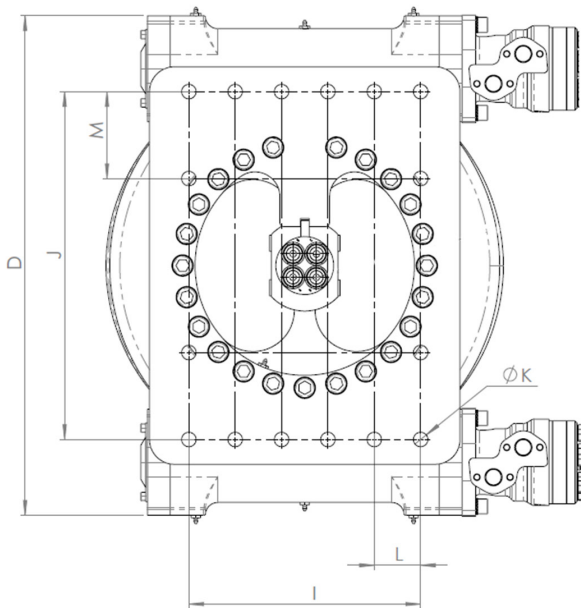
## Worm Drive 14-2 GS

SPECIALLY DESIGNED LOW RATIO WORM DRIVES FOR SAFE AND SMOOTH OPERATION



### KEY FEATURES

- For grapple saw
- Low built
- High torque
- Exact positioning
- High axial and radial load capacity



### WDR 14-2 GS

A	480
B	575
C	135
D	603
E	375
F	480
H	30
I	280
J	420
K	16xM20
L	56
M	105

### MODEL SPECIFICATIONS



WDR 14-2 GS

138

24

9

300

70

70

2x18

140

4300

3,8 rpm

G 1/2"

G 1/2"

G 3/4"

10-18

