

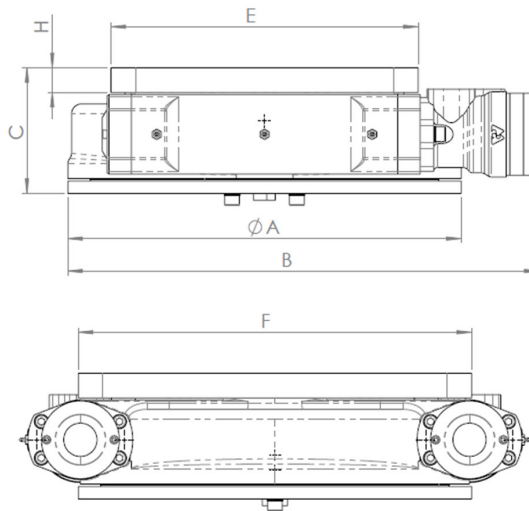
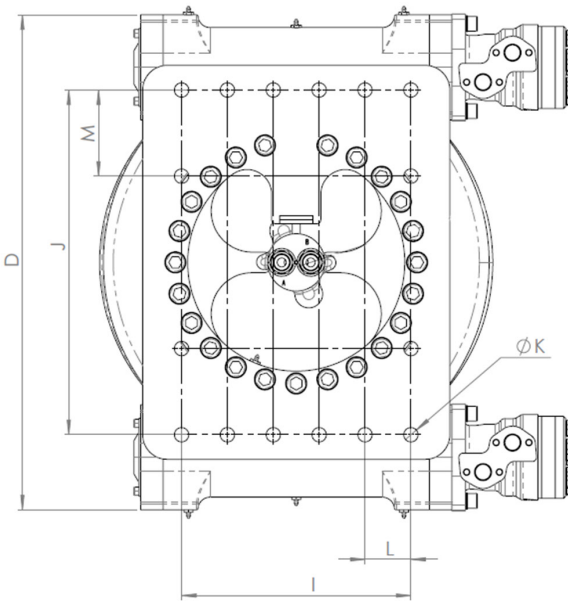
Worm Drive 14-2

SPECIALLY DESIGNED LOW RATIO WORM DRIVES FOR SAFE AND SMOOTH OPERATION



KEY FEATURES

- Low built
- High torque
- Exact positioning
- High axial and radial load capacity



WDR 14-2

A	480
B	575
C	135
D	603
E	375
F	480
H	30
I	280
J	420
K	16xM20
L	56
M	105

MODEL SPECIFICATIONS

								ROTATION SPEED				
WDR 14-2	137	24	9	300	70	140	2x18	4300	3,8 rpm	G 3/4"	G 1/2"	10-18 ton

