

# GRX

BY INTERMERCATO



**A NEW BEAST ENTERS.  
DEFINITELY FIERCE.**

# **Maximum flexibility and exceptional performance**

## **For mini and midi excavators**



### **FLEXIBILITY**

**GRX** gives you the possibility to choose between log grab, 5-finger grab and sorting grab.

**GRX** with its flexible universal hole pattern, is built for tilt rotators with angled excavator attachments, direct mounting of RMR compact rotators and for Intermercato WDR worm drives.



### **SIMPLIFIED CONSTRUCTION**

All **GRX** grabs of a certain size share the same body, guide bars, shafts and cylinder.

# GRX

BY INTERMERCATO



## LIGHT AND STRONG



The **GRX** series is made of steel from SSAB. The body is made of **Strenx®** high-strength structural steel 700, the claws of **Hardox®** 450 wear-resistant steel. This brilliant combination of materials gives **GRX** maximum strength and ideal weight.

The bodies of all **GRX** grabs are bent in one piece. No unnecessary weldings.

## SAFETY



Check valve as standard on all **GRX** sorting grabs (EG model).  
Check valve and accumulator optional on **GRX** 20 and 25.

Wide, bent safety sheet metal in **Strenx®** 700 under the body.

# GRX

## LOG GRAB

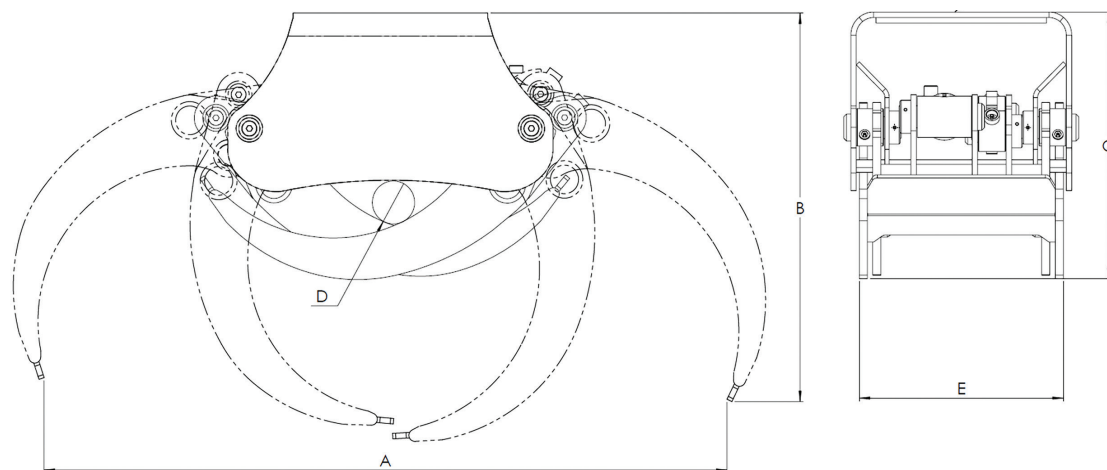
Bent body in Strenx® 700 high strength structural steel

Claws in Hardox® 450 wear-resistant steel

Check valve and accumulator optional on GRX 20 and 25



Universal hole pattern for  
Angled excavator attachment | RMR compact rotator | WDR worm drive



### MODEL SPECIFICATION



MODEL	Kg	m <sup>2</sup>	Bar	l/min	kN	ton
GRX 15	91	0,14	200	20	7,2	3-6
GRX 20	165	0,20	250	30	11,3	5-9
GRX 25	238	0,25	250	40	14,9	8-13

	GRX 15	GRX 20	GRX 25
<b>A</b>	930	1262	1424
<b>B</b>	618	705	812
<b>C</b>	398	485	543
<b>D</b>	63	78	85
<b>E</b>	316	377	419

# GRX

## 5-FINGER GRAB

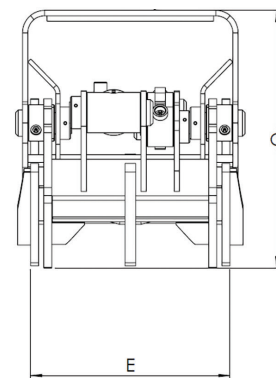
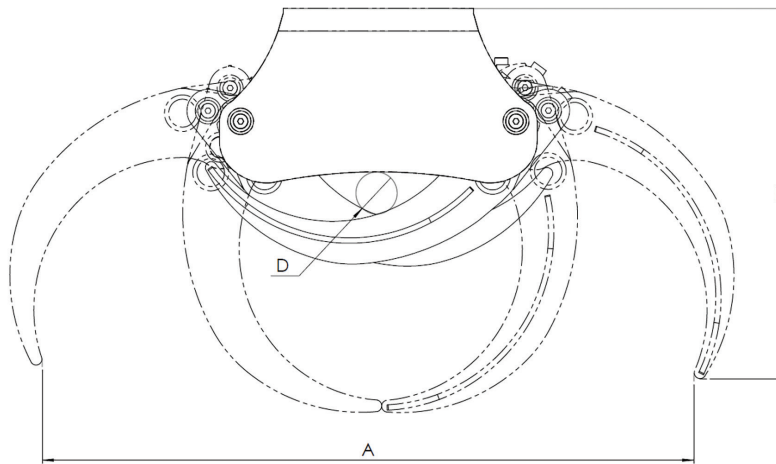
Bent body in Strenx® 700 high strength structural steel

Claws in Hardox® 450 wear-resistant steel

Check valve and accumulator optional on GRX20-5 & 25-5



Universal hole pattern for  
Angled excavator attachment | RMR compact rotator | WDR worm drive



### MODEL SPECIFICATION



MODEL	Kg	m <sup>2</sup>	Bar	l/min	kN	ton
GRX 15-5	95	0,14	200	20	7,2	3-6
GRX 20-5	170	0,19	250	30	11,3	5-9
GRX 25-5	248	0,24	250	40	14,9	8-13

	GRX 15-5	GRX 20-5	GRX 25-5
A	940	1234	1385
B	578	688	790
C	394	485	533
D	63	78	85
E	316	377	419

# GRX

## EG SORTING GRAB

Bent body in Strenx® 700 high strength structural steel

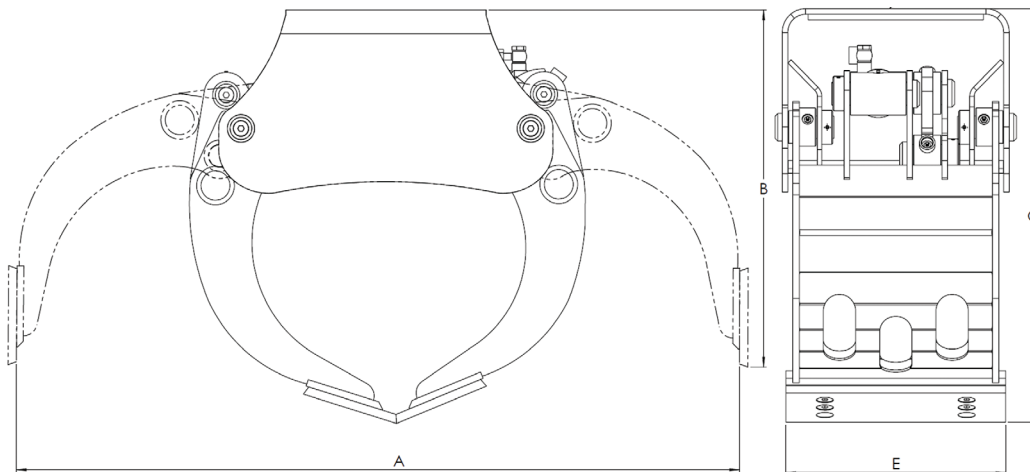
Claws in Hardox® 450 wear-resistant steel

Check valve as standard

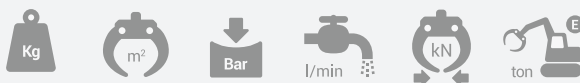
Accumulator optional on GRX 20 EG & 25 EG



Universal hole pattern for  
Angled excavator attachment | RMR compact rotator | WDR worm drive



### MODEL SPECIFICATION



MODEL	Kg	m <sup>2</sup>	Bar	l/min	kN	ton
GRX 15 EG	102	0,10	200	20	6,7	3-6
GRX 20 EG	180	0,14	250	30	11	5-9
GRX 25 EG	263	0,19	250	40	14,5	8-13

	GRX 15 EG	GRX 20 EG	GRX 25 EG
<b>A</b>	1150	1300	1500
<b>B</b>	497	631	735
<b>C</b>	616	731	840
<b>E</b>	366	395	439

# GRX

BY INTERMERCATO

**MAXIMUM STRENGTH. IDEAL WEIGHT.**



Weight



Recommended excavator weight – rigid mounting



Gripping area



Recommended oil flow



Gripping force



Maximum working pressure

**Intermercato is more than just grabs**

Explore our full range of products on [www.intermercato.com](http://www.intermercato.com)  
or contact our highly skilled sales team by Email or phone

# GRX

BY INTERMERCATO

Intermercato AB  
Bygatan 5  
272 93 Tommarp  
Sweden

info@intermercato.com  
Tel +46 414 20525

**[WWW.INTERMERCATO.COM](http://WWW.INTERMERCATO.COM)**

Your local Intermercato dealer

**INTERMERCATO®**  
HIGH PERFORMANCE LIFT & LOAD ATTACHMENTS